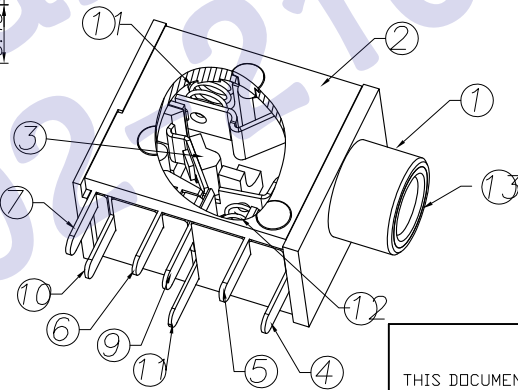
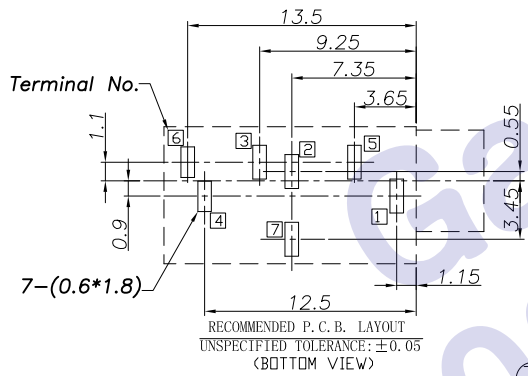
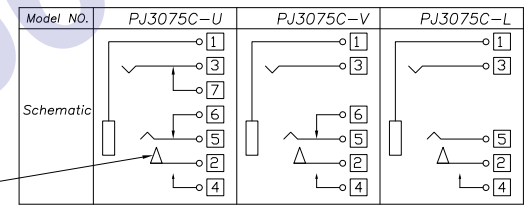
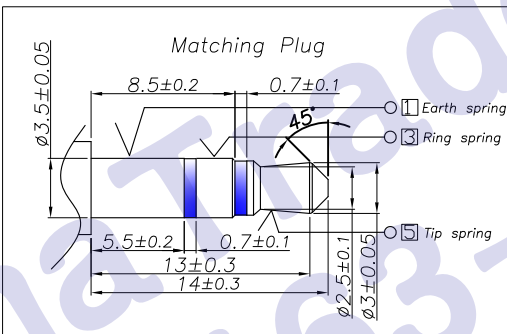
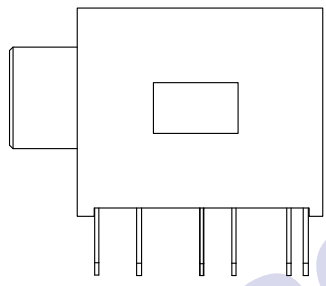
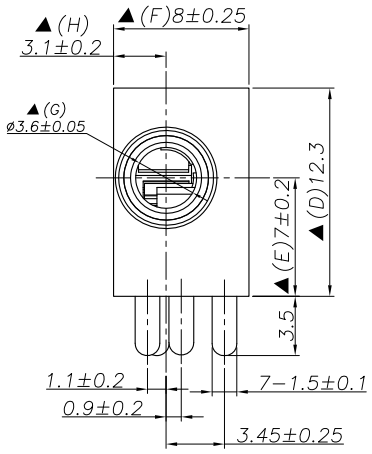
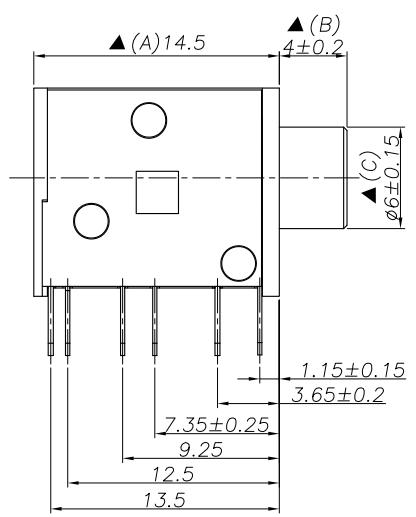


???

REV. QTY	ECN. NO.	REASON&CONTENTS	SIGN	DATE
X0 0		Update drawing	TAO	2012.12.13

Ordering information:
 PJ3075C- 66 0A TOH 3
 ? ? ? ? ? ? ?
 ? :Series No.
 ? :Schematic option: U, V, L
 ? :Material of housing:
 66=PA66
 ? :Housing color:
 Zero 0A=Black
 ? :Terminal plating
 T=Tin(Sn)
 ? :Special option:
 0H=Halogen Free
 ? :Packing mode:
 3=Plastic box packing



- Specification:
- Rating : DC 30V 0.5A.
 - Contact resistance: ≤30mΩ.
After test: ≤50mΩ.
 - Insulation resistance: ≥100MΩ (500VDC).
After test: ≥50MΩ.
 - Withstanding voltage: 500VAC.
 - Insertion and extraction force: 3N~30N.
 - Life test: 5000 cycles min.
 - Operation temperature range: -20℃~70℃.
 - Preservative temperature range: -40℃~85℃.
 - Sign "▲" is importance dimension.

③	Bushing	1	Brass	Nickel plating
②	Spring	1	Spring steel	Nickel plating
①	Spring	1	Spring steel	Nickel plating
⑩	Make terminal ④	1	Brass t0.25	Tin plating
⑨	Transfer spring ②	1	Phosphor bronze t0.25	Tin plating
⑧	Shunt terminal ⑦	1	Brass t0.25	Tin plating
⑦	Shunt terminal ⑥	1	Brass t0.3	Tin plating
⑥	Ring spring ③	1	Phosphor bronze t0.25	Tin plating
⑤	Tip spring ⑤	1	Phosphor bronze t0.3	Tin plating
④	Earth terminal ①	1	Brass t0.25	Tin plating
③	Insulator	1	PA66	Black
②	Cover	1	PA66	Halogen Free
①	Housing	1	PA66	Halogen Free
NO.	DESCRIPTION	QTY	MATERIAL	REMARK

THIS DOCUMENT IS THE SOLE PROPERTY OF BSC ELECTRONICS CO., LTD. AND SHOULD NOT BE USED IN WHOLE OR IN PART WITHOUT PRIOR WRITTEN PERMISSION.

UNIT:MM

DIMENSIONS		ANGLES
X ±0.50	X ±5°	
XX ±0.30	.X ±3°	
XXX ±0.15	.XX ±2°	

TYPE: ø3.5 PHONE JACK

MODEL NO: PJ3075C- 66 - 003

DRAWING No: BSCR-0000-0085

DRAWING TYPE: CUSTOMER DRAWING

SCALE: N/A

PAGE: 1/1

DESIGNER: Tao L 2012.12.13

CHECK BY: Matt 2012.12.13

APPROVED: Guo Ji 2012.12.13

HDC有限公司