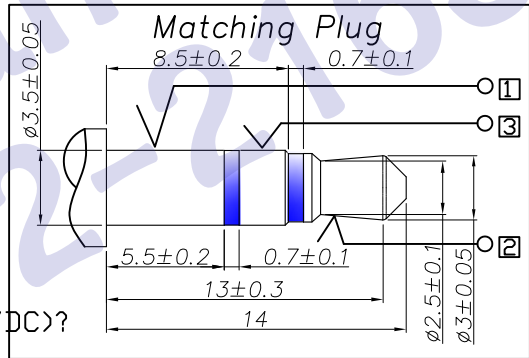


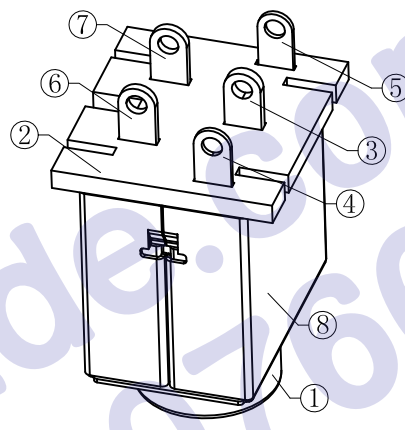
P.C.B Layout
(Copper-sided view)



Specification:
 1. Rating ?DC 30V 0.5A?
 2. Contact resistance? ≤30m??
 After test: ≤50m?
 3. Insulation resistance??100M?(500VDC)?
 After test: ?50M?
 4. Withstand voltage?500VAC ⚡
 5. Insertion and extraction force?3N?30N?
 6. life test?5000cycles min?
 7. Operation temperature range?0~20
 8. Preservation temperature range?0~40
 9. Sign? "is importance dimension?"

REV. LTR.	DESCRIPTION	SIGN	DATE
⚠	Insertion/Extraction force 3-15N change	Michael	2010.03.11
⚠	Update drawing	Michael	2010.03.11

Ordering information:
 PJ30780 ? PB?? S00 ?
 (1) (2) (3) (4) (5)(6)(7)
 (1): Series No.
 (2): Schematic option: A?B?C?D
 (3): Material of housing:
 PB=PBT
 (4): Housing color:
 0A=Black 2R=Red(0046)
 Zero 5U=Green(0299) 6B=Blue(0037)
 (5): Terminal plating:
 S=Silver(Ag)
 (6): Special option:
 00=No special option
 (7): Packing mode:
 3=Plastic box packing
 4=Bag packing



Model No.	PJ30780-A (PJ-378)	PJ30780-B (PJ-378-1)	PJ30780-C	PJ30780-D (PJ-378-2)
Schematic				

⑧ Shell	1	Stainless steel 0.2t	PJ30780-W1	Natural
⑦ Shunt terminal	⑤	1 Brass 0.4t	PJ30780-05	Silver plating
⑥ Shunt terminal	④	1 Brass 0.4t	PJ30780-04	Silver plating
⑤ Ring spring	③	1 Phosphor bronze 0.25t	PJ30780-03	Silver plating
④ Tip spring	②	1 Phosphor bronze 0.25t	PJ30780-02	Silver plating
③ Earth spring	①	1 Phosphor bronze 0.5t	PJ30780-01	Silver plating
② Cover	1	PBT, UL 94V-0	PJ30780-S2	
① Housing	1	PBT, UL 94V-0	PJ30780-S1	

NO.	DESCRIPTION	QTY	MATERIAL	PART NO.	REMARK
UNIT:MM	TYPE:	MODEL NO:	PAPER NO: A4	PAGE 1 OF 1	
	Ø3.5 PHONE JACK	PJ30780-_PB_ _S00_	TOLERANCE	ANGLES	SCALE VER
			±0.3	±2°	FULL 4

DESIGNER BY: Michael 2010.03.11
 CHECK BY:
 APPROVED BY:

HDC有限公司