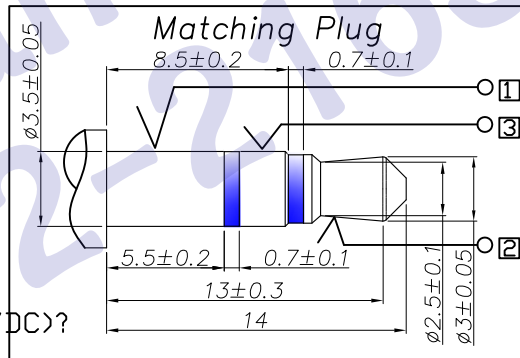


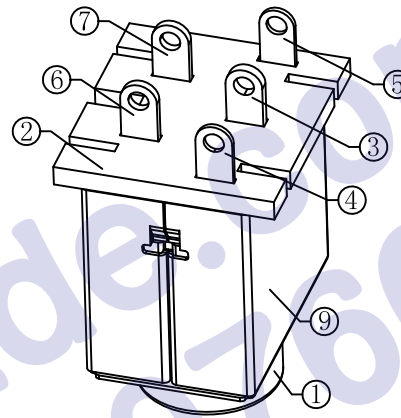
P.C.B Layout
(Copper-sided view)



- Specification:
- Rating ?DC 30V 0.5A?
 - Contact resistance? ≤30m??
After test: ≤50m?
 - Insulation resistance??100M?(500VDC)?
After test: ?50M?
 - Withstand voltage?500VAC ▲
 - Insertion and extraction force?3N?30N?
 - life test?5000cycles min?
 - Operation temperature range? -20 ~ 20
 - Preservation temperature range? -40 ~ 40
 - Sign? "is importance dimension?"

REV. LTR.	DESCRIPTION	SIGN	DATE
▲	Insertion/Extraction force 3-15N change to 3-30N	Michael	2008.06.26
▲	Update drawing	Michael	2010.03.11

Ordering information:
 PJ3078A? PB?? S00?
 (1) (2) (3) (4) (5)(6)(7)
 (1):Series No.
 (2):Schematic option: A?B?C?D
 (3):Material of housing:
 PB=PBT
 (4):Housing color:
 0A=Black 2R=Red(0046)
 Zero 5U=Green(0299) 6B=Blue(0037)
 (5):Terminal plating:
 S=Silver(Ag)
 (6):Special option:
 00=No special option
 (7):Packing mode:
 3=Plastic box packing
 4=Bag packing



Model No.	PJ3078A-A (PJ-378A)	PJ3078A-B (PJ-378A-1)	PJ3078A-C	PJ3078A-D (PJ-378A-2)
Schematic				

⑨ Shell	1	Stainless steel 0.2t	PJ30780-W1	Natural
⑧ Bushing	1	Copper alloy	PJ3078A-88	Nickel plating
⑦ Shunt terminal ⑤	1	Brass 0.4t	PJ30780-05	Silver plating
⑥ Shunt terminal ④	1	Brass 0.4t	PJ30780-04	Silver plating
⑤ Ring spring ③	1	Phosphor bronze 0.25t	PJ30780-03	Silver plating
④ Tip spring ②	1	Phosphor bronze 0.25t	PJ30780-02	Silver plating
③ Earth spring ①	1	Phosphor bronze 0.5t	PJ30780-01	Silver plating
② Cover	1	PBT,UL 94V-0	PJ30780-S2	
① Housing	1	PBT,UL 94V-0	PJ3078A-S1	

NO.	DESCRIPTION	QTY	MATERIAL	PART NO.	REMARK
UNIT:MM	TYPE:	MODEL NO:	PAPER NO: A4	PAGE 1 OF 1	
	φ3.5 PHONE JACK	PJ3078A-_PB_ _S00_	TOLERANCE	ANGLES	SCALE VER
			±0.3	±2°	FULL 3

DESIGNER BY: Michael 2010.03.11
 CHECK BY:
 APPROVED BY:

HDC有限公司