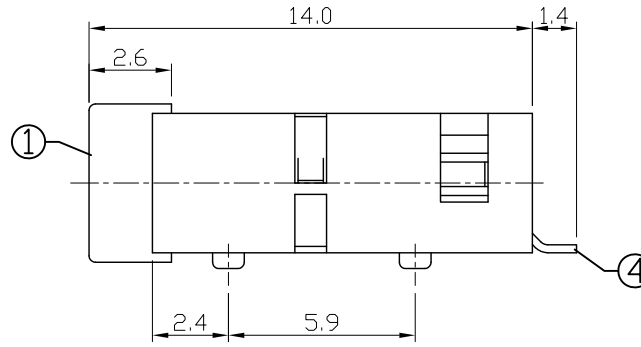
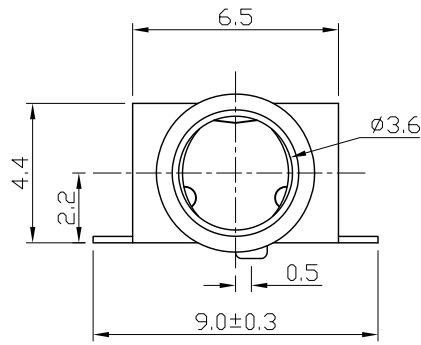
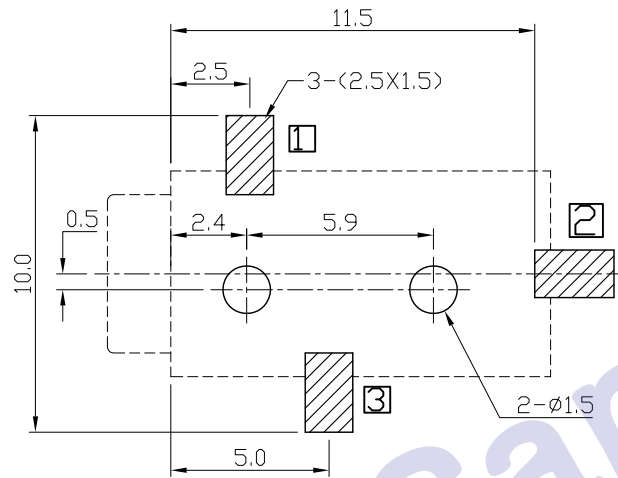
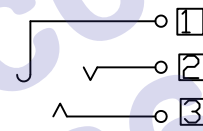


REV	QTY	ECN. NO.	REASON&CONTENTS	SIGN	DATE
			Proposal drawing	Matt	2012.11.16



Ordering information:
 PJ30800- D 9T 0A S 00 1
 (1) (2) (3)(4) (5)(6)(7)
 (1):Series No.
 (2):Schematic option:D
 (3):Material of housing:
 9T=PA9T
 (4):Housing color:
 0A=Black
 (5):Terminal plating
 S=Silver (Ag)
 (6):Special option:
 00=No special option
 (7):Packing mode:
 1=Tape reel packing

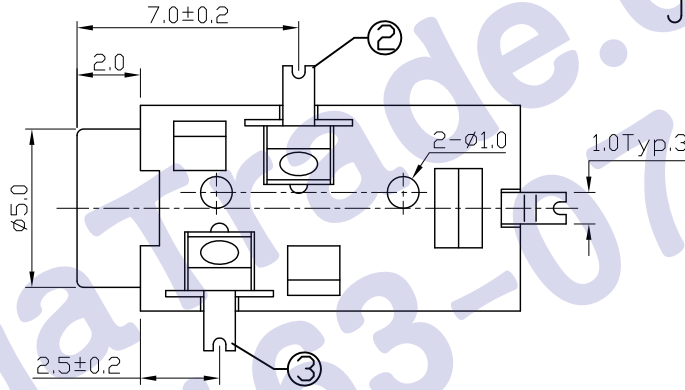
SCHEMATIC



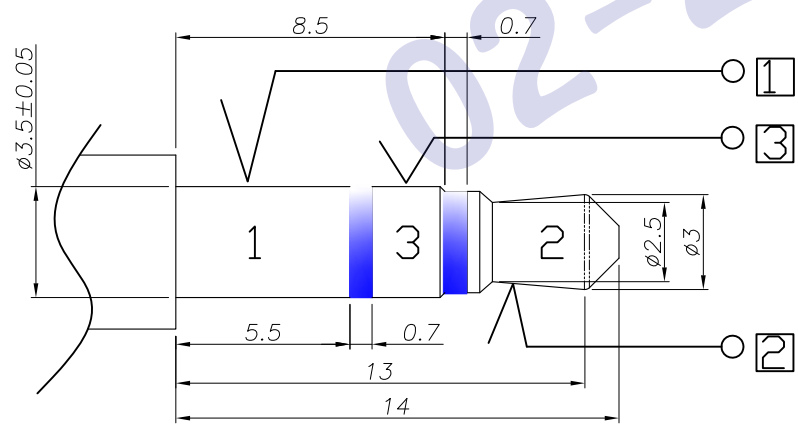
P.C.B LAYOUT

TOP VIEW

Matching Plug



- Specification:
- Rating : DC 30V 0.5A.
 - Contact resistance: ≤50mΩ.
After test: ≤100mΩ.
 - Insulation resistance: ≥100MΩ (500VDC).
After test: ≥50MΩ.
 - Withstanding voltage: 500VAC.
 - Extraction force: 3N~30N.
 - life test: 5000cycles min.
 - Operation temperature range:-20℃~70℃.
 - Preservative temperature range:-40℃~85℃.



4	CONTACT FOOT	1	PHOSPHOR BRONZE	Ag-Plating
3	CONTACT FOOT	1	PHOSPHOR BRONZE	Ag-Plating
2	CONTACT FOOT	1	PHOSPHOR BRONZE	Ag-Plating
1	HOUSING	1	PA9T	
NO.	DESCRIPTION	QTY	MATERIAL	PLATING

THIS DOCUMENT IS THE SOLE PROPERTY OF BSH ELECTRONICS CO., LTD. AND SHOULD NOT BE USED IN WHOLE OR IN PART WITHOUT PRIOR WRITTEN PERMISSION.

UNIT:MM

TOLERANCE		TYPE: Ø3.5 PHONE JACK	MODEL NO: PJ30800-D9T0AS001	DRAWING TYPE: CUSTOMER DRAWING
DIMENSIONS	ANGLES			
X ±0.50	X ±5°			
XX ±0.30	.X ±3°			
XXX±0.15	.XX ±2°			

DESIGNER: By Matt 2012.11.16
 CHECK: BY: BF 2012.11.16
 APPROVED: By JI 2012.11.16

DRAWING No: SCALE: VER. PAGE: N/A 1 1/1

HDC有限公司