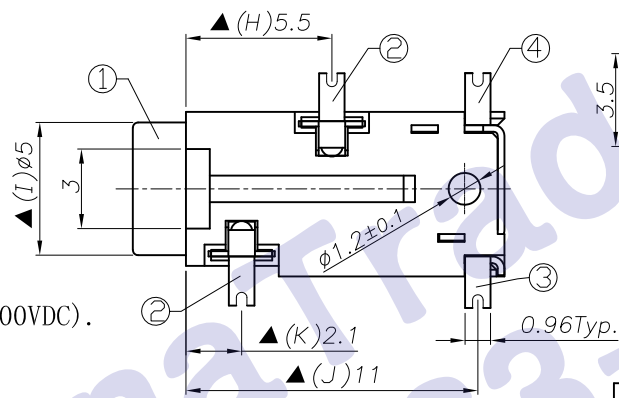
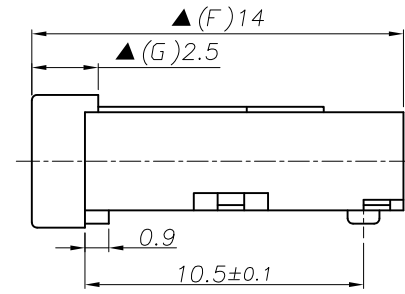
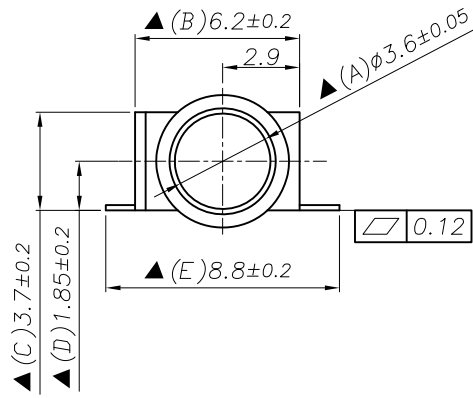
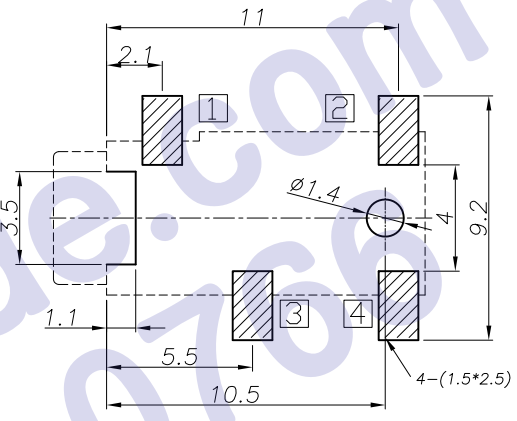


1	2	3	4	5	6	7
????	??	??	??	??	??	??
REV. LTR.	DESCRIPTION	SIGN	DATE			
	Update drawing	bull. pa	2011.03.17.			

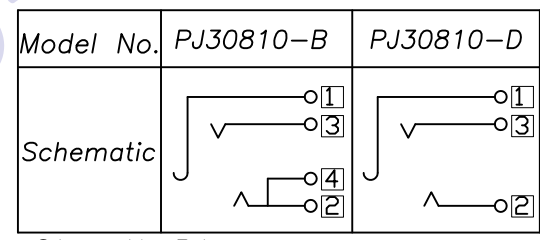


RECOMMENDED P. C. B. LAYOUT  
UNSPECIFIED TOLERANCE: ±0.05  
(COPPER-SIDED VIEW)

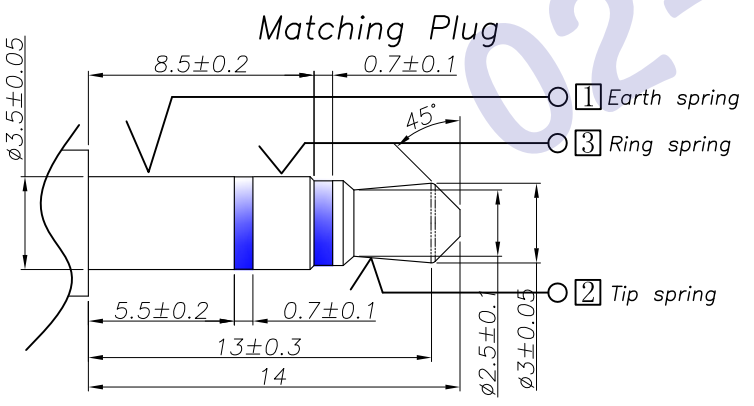


Ordering information:  
PJ30810- □ 9T 0A □ 00 1  
(1) (2) (3) (4) (5) (6) (7)  
(1):Series No.  
(2):Schematic option: B, D  
(3):Material of housing:  
9T=PA9T (Standard)  
(4):Housing color:  
Zero → 0A=Black (Standard)  
(5):Terminal plating  
S=Silver (Ag) (Standard)  
G=Gold (Au)  
(6):Special option:  
00=No special option  
(7):Packing mode:  
1=Tape reel packing

- Specification:
- Rating : DC 30V 0.5A.
  - Contact resistance: ≤30mΩ.  
After test: ≤50mΩ.
  - Insulation resistance: ≥100MΩ (500VDC).  
After test: ≥50MΩ.
  - Withstand voltage: 500VAC.
  - Insertion and extraction force: 3N~30N.
  - life test: 5000cycles min.
  - Operation temperature range:-20°C~70°C.
  - Preservative temperature range:-40°C~85°C.
  - Sign"▲ "is importance dimension.



Circuit Diagram □: Terminal



④	Shunt terminal ④	No.	Brass t0.25	PJ30810-04	Silver/Gold plating
③	Tip spring ②	1	Beryllium bronze t0.25	PJ30810-02	Silver/Gold plating
②	Ring spring ①③	2	Phosphor bronze t0.2	PJ30810-01	Silver/Gold plating
①	Housing	1	PA9T+33%GF UL 94V-0	PJ30810-S1	Black
ITEM NO.	DESCRIPTION	QTY	MATERIAL	PART NO.	REMARK
UNIT:MM	TYPE:	MODEL NO:	PAPER NO: A4	PAGE 1 OF 1	
	φ3.5 PHONE JACK	PJ30810-9T0A_001	TOLERANCE	ANGLES	SCALE
			±0.25	±2°	FULL
DESIGNER BY:	Bull.pan 2011.03.17				
CHECK BY:					
APPROVED BY:					

HDC有限公司