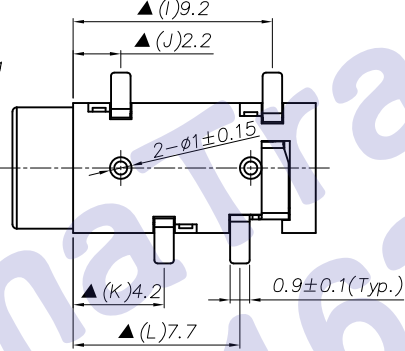
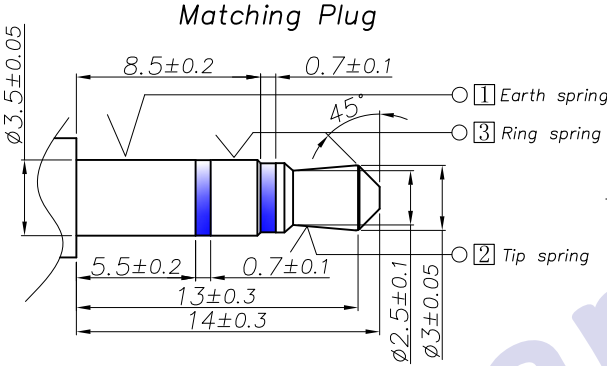
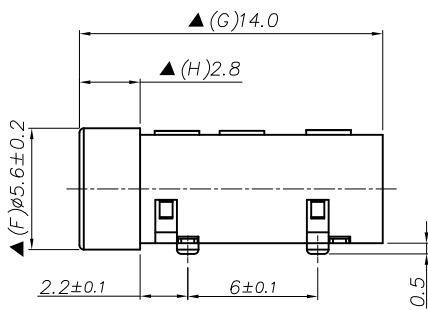
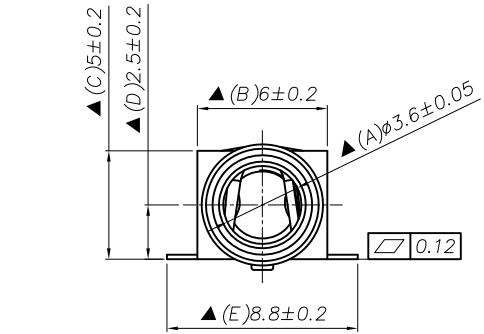
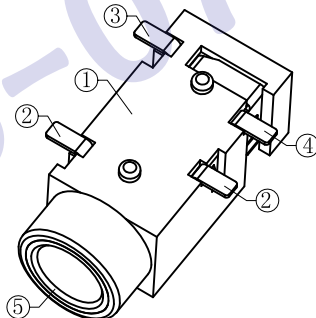
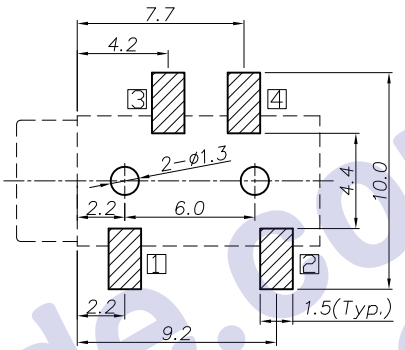
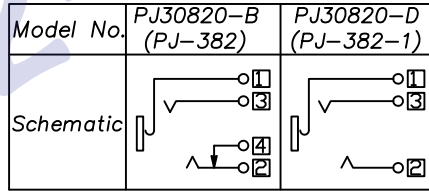


|                |                                     |           |            |
|----------------|-------------------------------------|-----------|------------|
| REV. LTR.      | DESCRIPTION                         | SIGN      | DATE       |
| Update drawing |                                     | Bull. pan | 2011.03.17 |
| △X1            | Modify bushing                      | Bull. pan | 2011.07.05 |
| △              | Add new P/N with gold flash plating | Matt      | 2012.11.12 |

Ordering information:  
 PJ30820 ? 9T0A ? 00 1  
 (1) (2) (3)(4)(5)(6)(7)  
 (1):Series No.  
 (2):Schematic option: B?D  
 (3):Material of housing:  
 9T=PA9T  
 (4):Housing color:  
 Zero 0A=Black  
 (5):Terminal plating:  
 S=Silver(Ag) G=Gold Flash  
 (6):Special option:  
 00=No special option  
 (7):Packing mode:  
 1=Tape reel packing



- Specification:
- Rating : DC 30V 0.5A.
  - Contact resistance: ≤30mΩ.  
After test: ≤50mΩ.
  - Insulation resistance: ≥100MΩ (500VDC).  
After test: ≥50MΩ.
  - Withstand voltage: 500VAC.
  - Insertion and extraction force: 3N~30N.
  - life test: 5000cycles min.
  - Operation temperature range:-20℃~70℃.
  - Preservative temperature range:-40℃~85℃.
  - Sign"▲" is importance dimension.



Circuit Diagram □: Terminal No.

| NO. | DESCRIPTION    | QTY | MATERIAL             | PART NO.   | REMARK      |
|-----|----------------|-----|----------------------|------------|-------------|
| ⑤   | Bushing        | 1   | Copper alloy         | PJ30820-88 | Silver / Au |
| ④   | Shunt terminal | ④   | Brass t0.2           | PJ30820-04 | Silver / Au |
| ③   | Tip spring     | ②   | Titanium copper t0.2 | PJ30820-02 | Silver / Au |
| ②   | Ring spring    | ① ③ | Titanium copper t0.2 | PJ30820-01 | Silver / Au |
| ①   | Housing        | 1   | PA9T                 | PJ30820-S1 | Black       |

|         |                 |                |              |             |
|---------|-----------------|----------------|--------------|-------------|
| UNIT:MM | TYPE:           | MODEL NO:      | PAPER NO: A4 | PAGE 1 OF 1 |
|         | φ3.5 PHONE JACK | PJ30820-_9T0A_ | TOLERANCE    | ANGLES      |
|         |                 |                | ±0.3         | ±2°         |
|         |                 |                | SCALE        | VER         |
|         |                 |                | N/A          | 04          |

|              |                      |
|--------------|----------------------|
| DESIGNER BY: | Bull. pan 2011.07.05 |
| CHECK BY:    | Matt 2011.07.05      |
| APPROVED BY: | Qcean 2011.07.05     |

HDC有限公司