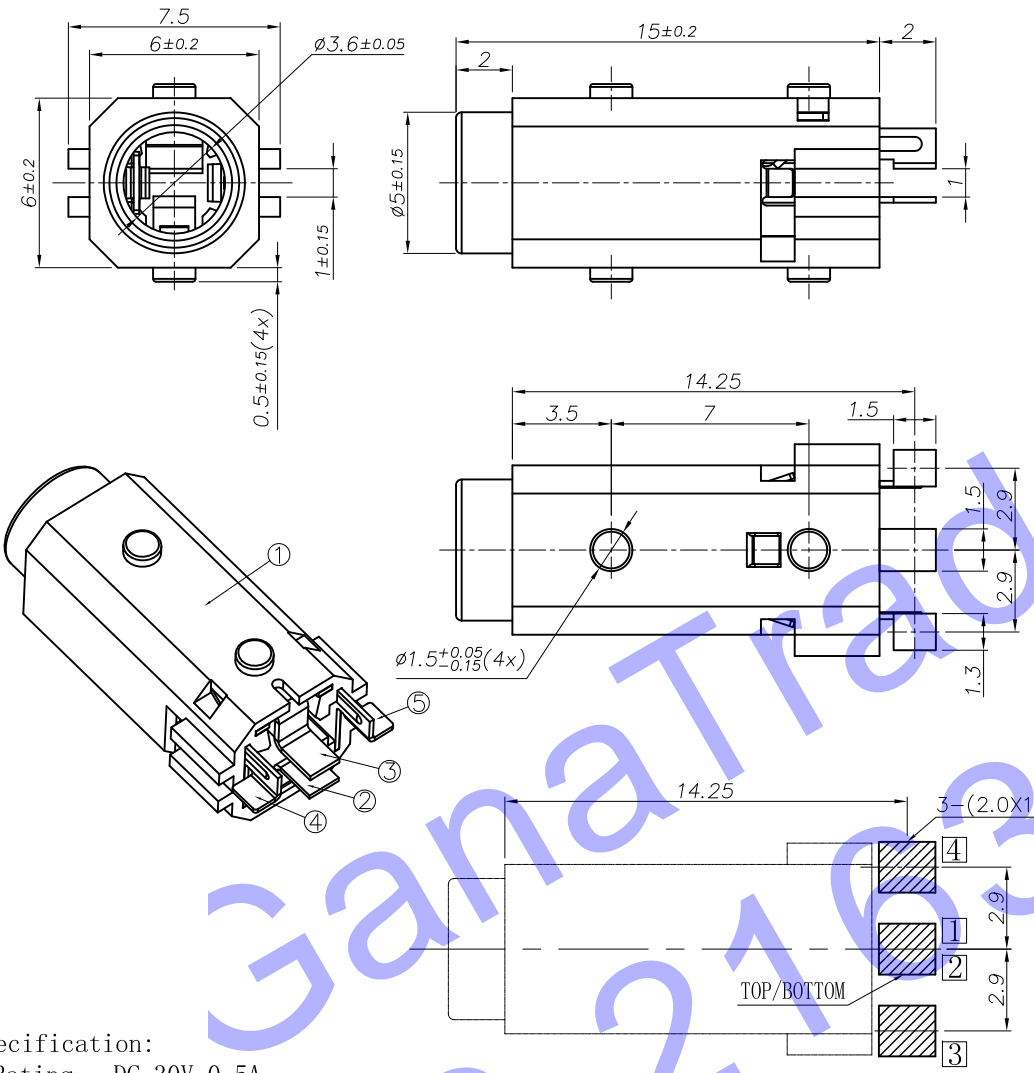


REV.	Q'TY	ECN. NO.	REASON&CONTENTS	SIGN	DATE
△	1		Add the plating spec	myy	11.09.22



Model No.	PJ30840-M (PJ-384)	PJ30840-D (PJ-384-1)
Schematic		

Ordering information:  
 PJ30840 - □ PB 0A \_ 00 4  
 (1) (2) (3) (4) (5) (6) (7)  
 (1):Series No.  
 (2):Schematic option:M, D  
 (3):Material of housing:  
 PB=PBT  
 (4):Housing color:  
 Zero-0A=Black  
 (5):Terminal plating: △  
 S=Silver(Ag) G=Gold(Au)  
 (6):Special option:  
 )=No special option  
 cking mode:  
 Bag packing

- Specification:
- Rating : DC 30V 0.5A;
  - Contact resistance:  $\leq 50m\Omega$ ;  
After test:  $\leq 100m\Omega$
  - Insulation resistance:  $\geq 100M\Omega$  (500VDC);  
After test:  $\geq 50M\Omega$
  - Withstand voltage: 500VAC ;
  - Insertion and extraction force: 3N~30N;
  - life test: 5000cycles min;
  - Operation temperature range:  $-20^{\circ}C \sim 70^{\circ}C$ ;
  - Preservation temperature range:  $-40^{\circ}C \sim 85^{\circ}C$ ;

RECOMMENDED P. C. B. LAYOUT  
 UNSPECIFIED TOLERANCE:  $\pm 0.05$   
 (TOP VIEW)

⑤	Ring spring	④	1	Copper alloy	PJ30840-04	Silver/Gold plating
④	Ring spring	③	1	Stainless steel	PJ30840-03	Silver/Gold plating
③	Tip spring	②	1	Stainless steel	PJ30840-02	Silver/Gold plating
②	Earth spring	①	1	Copper alloy	PJ30840-01	Silver/Gold plating
①	Housing		1	Thermoplastic	PJ30840-S1	
NO.	DESCRIPTION	Q'TY	MATERIAL	PART NO.	REMARK	

THIS DOCUMENT IS THE SOLE PROPERTY OF BSM ELECTRONICS CO., LTD. AND SHOULD NOT BE USED IN WHOLE OR IN PART WITHOUT PRIOR WRITTEN PERMISSION.	UNIT:MM	TOLERANCE		TYPE: ∅3.5 PHONE JACK	MODEL NO: PJ30840-PB0A_004	DRAWING TYPE: CUSTOMER DRAWING		
		DIMENSIONS	ANGLES		DRAWING No:	SCALE:	VER.:	PAGE:
		.X ±0.50	X ±3.0°	N/A		02	1/1	
		.XX ±0.30	.X ±1.5°					
	.XXX ±0.15	.XX ±1.0°						
DESIGNER BY:					H D C 有限公司			
CHECK BY:								
APPROVED BY:								