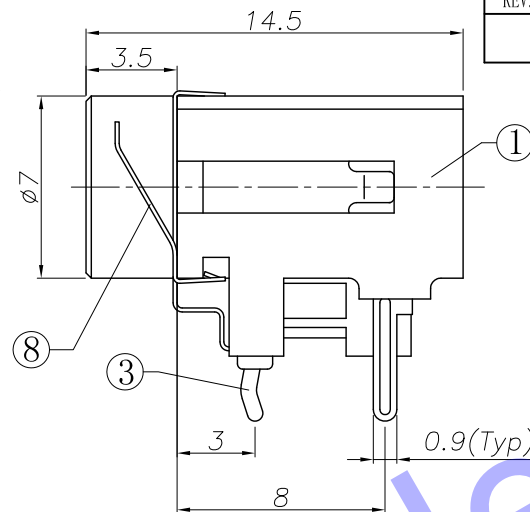
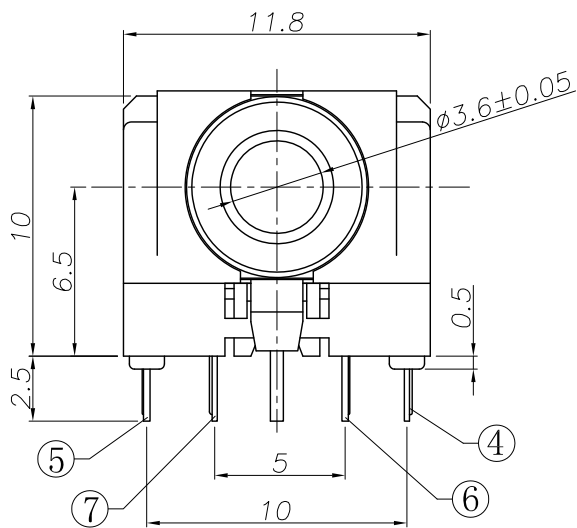


修正标记  
REV. LTR.

描述  
DESCRIPTION

签名  
SIGN

日期  
DATE



Ordering information:

PJ30880 -         
(1) (2) (3) (4) (5) (6) (7)

(1): Series No.

(2): Schematic option: L

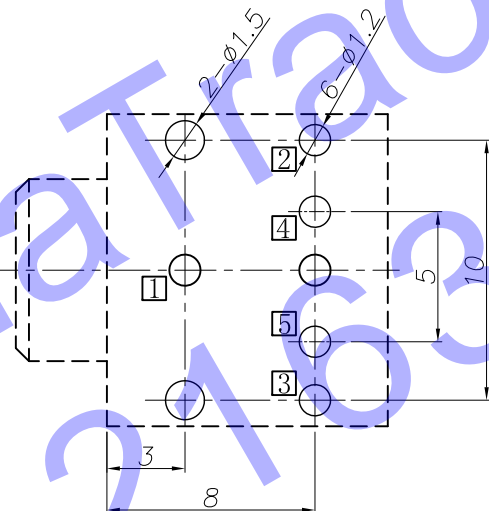
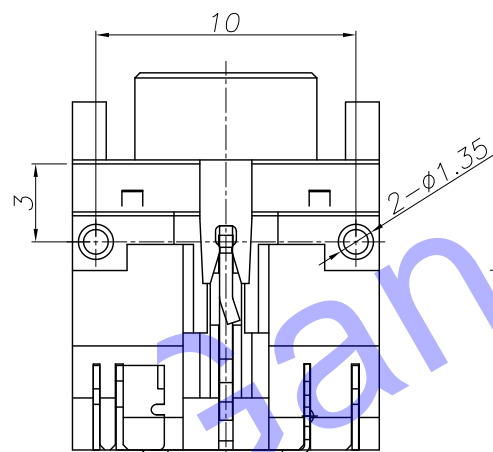
(3): Material of housing:  
PB=PBT

(4): Bushing or Housing color:  
0A=Black 2\_=Red 3\_=Orange  
Zero 4\_=Yellow 5\_=Green 6\_=Blue

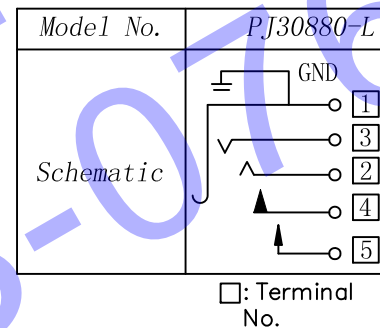
(5): Terminal plating  
S: Silver (Ag) T: Tin (Sn)  
G: Gold (Au)

(6): Special option:  
00: No Earth spring  
01: Have Earth spring

(7): Packing mode:  
3: Plastic box packing  
4: Bag packing



P. C. B Layout  
(Copper-sided view)



⑧	Earth spring	1	SUS301 t=0.15	PJ3017B-E1	Natural	
⑦	Make terminal	⑤	1	Bronze t=0.25	PJ30860-05	Ag-Plating
⑥	Transfer terminal	④	1	SUS301 t=0.2	PJ30860-04	Ag-Plating
⑤	Ring spring	③	1	SUS301 t=0.2	PJ30860-03	Ag-Plating
④	Tip spring	②	1	Bronze t=0.25	PJ30860-02	Ag-Plating
③	Earth terminal	①	1	Bronze t=0.5	PJ30880-01	Ag-Plating
②	Insulator		1	PA66	PJ30860-S4	
①	Housing		1	PBT, UL 94V-0	PJ30880-S1	

SPECIFICATION

1. Rating : DC 30V 0.5A;
2. Contact resistance:  $\leq 50m\Omega$ ;
3. Insulation resistance:  $\geq 100M\Omega$  (DC250V);
4. Withstand voltage: 500VAC ;
5. Insertion and extraction force: 3-30N;
6. life test: 5000 cycles.

NO.	DESCRIPTION	QTY	MATERIAL	PART NO.	PLATING
UNIT:MM	TYPE:	MODEL NO:	PAPER NO: A4 PAGE 1 OF 1		
	$\phi 3.5$ PHONE JACK	PJ30880-LPB_ _S_ _4	TOLERANCE	ANGLES	SCALE VER
			$\pm 0.3$	$\pm 2'$	FULL 1
DESIGNER BY:	Michael 2008.12.10				
CHECK BY:					
APPROVED BY:					