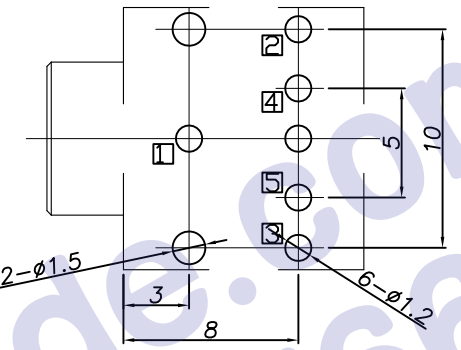
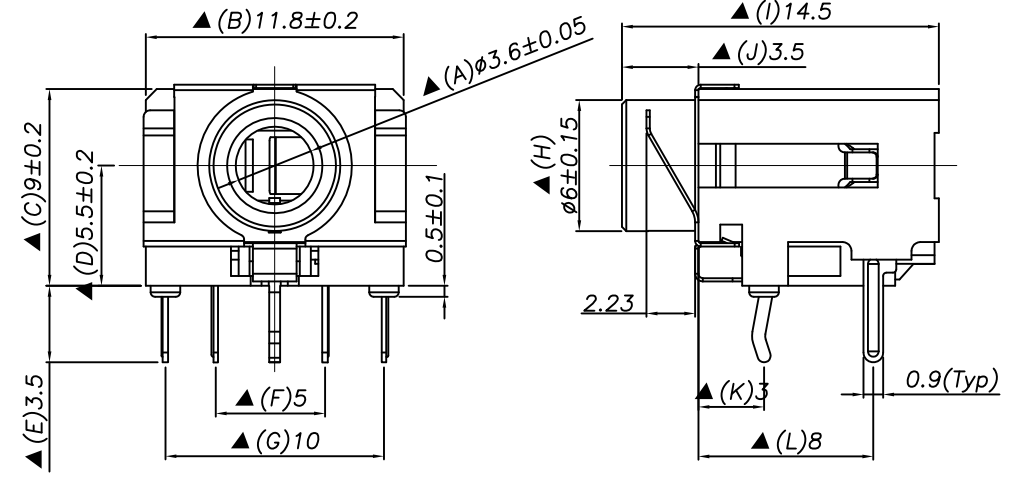
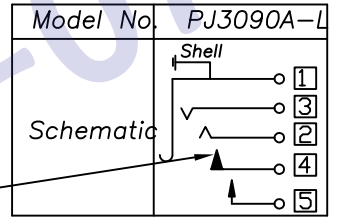
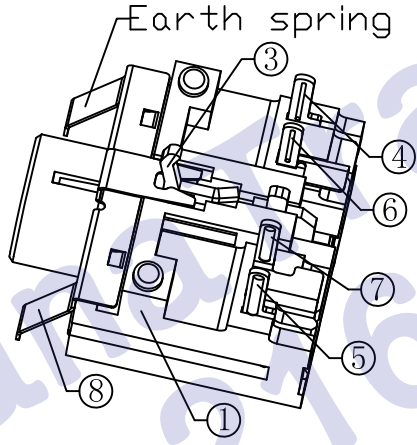
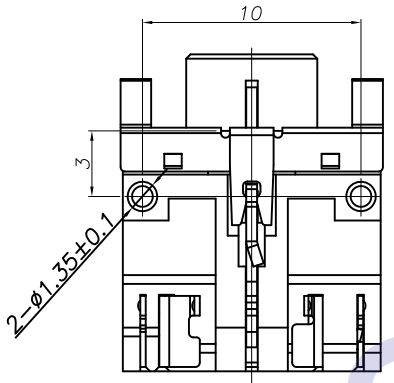


修正标记 REV. LTR.	描述 DESCRIPTION	签名 SIGN	日期 DATE
	Update drawing	Michael	2010.12.21



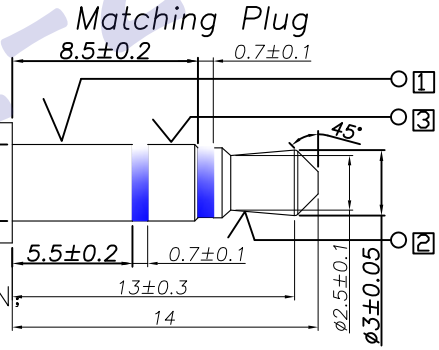
RECOMMENDED P.C.B. LAYOUT  
UNSPECIFIED TOLERANCE: ±0.05  
(COPPER-SIDED) VIEW

- Ordering information:  
PJ3090A L PB □ □ S 00 □  
(1) (2)(3) (4) (5)(6)(7)
- (1): Series No.
  - (2): Schematic option: L
  - (3): Material of housing:  
PB=PBT
  - (4): Housing color:  
0A=Black 2K=Red(0252)  
5J=Green(0253) 6A=Blue(0011)
  - (5): Terminal plating:  
S=Silver(Ag)
  - (6): Special option:  
00=No special option
  - (7): Packing mode:  
3=Plastic box packing  
4=Bag packing



□: Terminal No.

- Specification:
1. Rating :DC 30V 0.5A;
  2. Contact resistance: ≤50mΩ;  
After test: ≤100mΩ
  3. Insulation resistance: ≥100MΩ(500VDC);  
After test: ≥50MΩ
  4. Withstand voltage: 500VAC ;
  5. Insertion and extraction force: 3N~30N;
  6. life test: 5000cycles min;
  7. Operation temperature range: -20~70℃
  8. Preservation temperature range: -40~85℃
  9. Sign "▲" is importance dimension;



⑧ Earth spring	1	Stainless steel 0.15t	PJ3090A-E1	Silver plating
⑦ Make terminal	⑤	Beryllium bronze 0.25t	PJ30860-05	Silver plating
⑥ Transfer terminal	④	Stainless steel 0.2t	PJ30860-04	Silver plating
⑤ Ring spring	③	Stainless steel 0.25t	PJ30860-03	Silver plating
④ Tip spring	②	Phosphor bronze 0.25t	PJ30860-02	Silver plating
③ Earth terminal	①	Phosphor bronze 0.5t	PJ30880-01	Silver plating
② Insulator	1	PA66,UL 94HB	PJ30860-S4	
① Housing	1	PBT,UL 94V-0	PJ3090A-S1	

NO.	DESCRIPTION	QTY	MATERIAL	PART NO.	REMARK
UNIT:MM	TYPE:	MODEL NO:	PAPER NO: A4	PAGE 1 OF 1	
⊕	φ3.5 PHONE JACK	PJ3090A-LPB_ S00	TOLERANCE	ANGLES	SCALE
			±0.3	±2°	N/A
DESIGNER BY:	Michael 2010.12.21				
CHECK BY:					
APPROVED BY:					

HDC有限公司