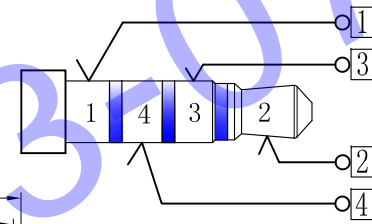
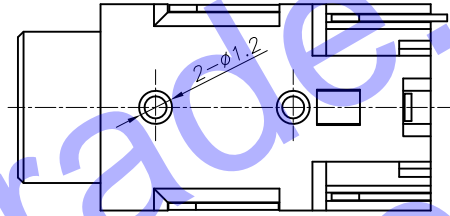
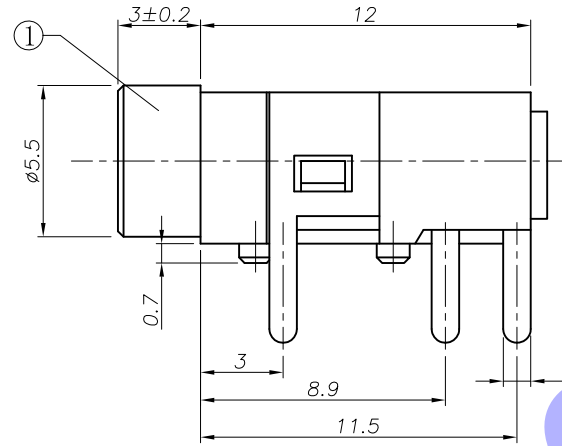
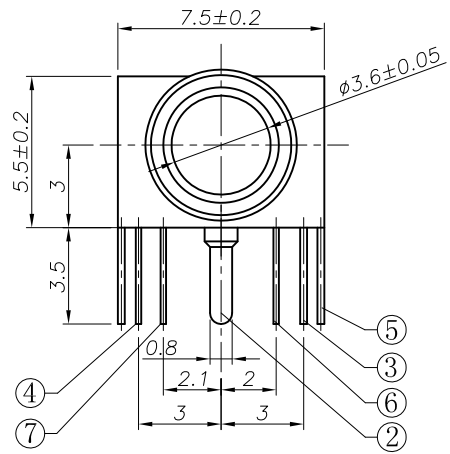


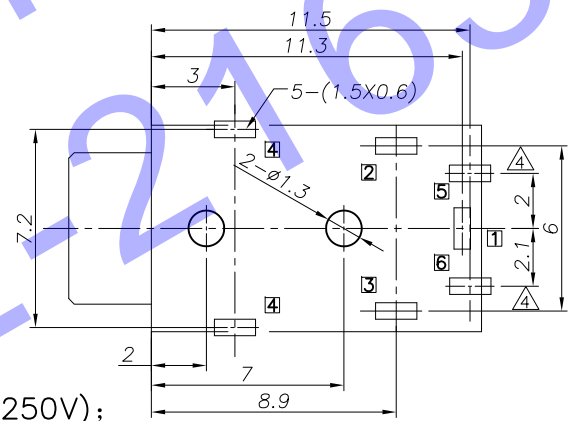
REV. LTR.	DESCRIPTION	SIGN	DATE
4 x2	Modify size	Bingo	08.12.23



Ordering information:  
 P J 3 0 9 1 0 - □ P B □ □ S □ □ □  
 (1) (2) (3) (4) (5) (6) (7)  
 (1): Series No  
 (2): Schematic option: I, J, M, D, K  
 (3): Material of housing:  
 PB=PBT  
 (4): Housing color: 0A=Black  
 1\_=Brown 2\_=Red 3\_=Orange  
 4\_=Yellow 5\_=Green 6\_=Blue  
 7\_=Purple 8\_=Gray 9\_=White  
 (5): Terminal plating  
 S: Silver (Ag)  
 (6): Special option:  
 00: No special option  
 (7): Packing mode:  
 3: Plastic box packing

Model NO.	PJ30910-I (PJ-30910)	PJ30910-J (PJ-30910-1)	PJ30910-K (PJ-30910-2)
Schematic			
Model NO.	PJ30910-M (PJ-30910-3)	PJ30910-D	PJ30910-D****1 (PJ-30910-4)
Schematic			

□ : TERMINAL NO.



P. C. B. Layout  
(Copper-sided view)

7	Shunt terminal	6	1	Brass	PJ30910-06 (PP-1185)	Ag-Plating
6	Shunt terminal	5	1	Brass	PJ30910-05 (PP-1183)	Ag-Plating
5	Ring spring	4	1	Phosphor bronze	PJ30910-04 (JA-1186)	Ag-Plating
4	Ring spring	3	1	Phosphor bronze	PJ30910-03 (TP-1184)	Ag-Plating
3	Tip spring	2	1	Phosphor bronze	PJ30910-02 (TP-1182)	Ag-Plating
2	Earth spring	1	1	Phosphor bronze	PJ30910-01 (JA-1187)	Ag-Plating
1	Housing	1	1	PBT	PJ30910-S1 (ST-1181)	

NO.	DESCRIPTION	QTY	MATERIAL	PART NO.	PLATING
UNIT: MM		TYPE:		MODEL NO:	
TOLERANCE		ANGLES		SCALE	
VER		FULL		5	

DESIGNER BY: Bingo 2008.12.23  
 CHECK BY:  
 APPROVED BY:

H D C 有限公司

SPECIFICATION  
 1. Rating : DC 30V 0.5A;  
 2. Contact resistance: ≤30mΩ;  
 3. Insulation resistance: ≥100MΩ (DC250V);  
 4. Withstand voltage: 500VAC ;  
 5. Insertion and extraction force: 3-30N;  
 6. life test: 5,000 cycles.