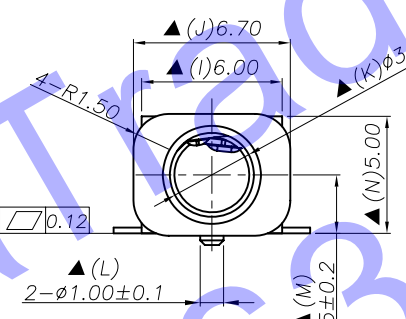
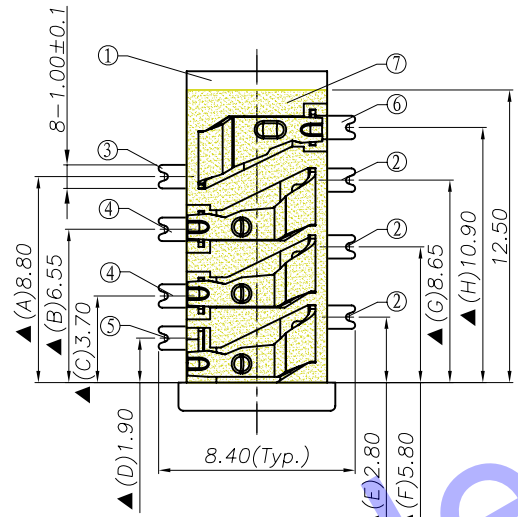
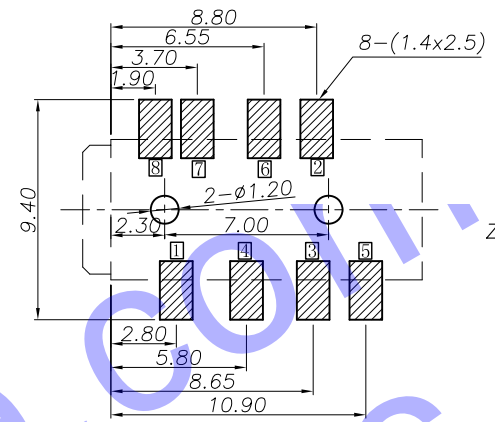


Model No.	PJ3093B-A	PJ3093B-B	PJ3093B-D	PJ3093B-K
Schematic				
Model No.	PJ3093B-F	PJ3093B-I	PJ3093B-J	PJ3093B-M
Schematic				
Model No.	PJ3093B-Q	PJ3093B-R	PJ3093B-S	PJ3093B-U
Schematic				
Model No.	PJ3093B-P	PJ3093B-Y	PJ3093B-H	PJ3093B-T
Schematic				
Model No.	PJ3093B-L	Matching Plug		
Schematic				



REV.	LTR.	DESCRIPTION	SIGN	DATE
		Update drawing	Bull.pan	2011.04.11
		Update drawing	Bull.pan	2011.08.03



Ordering information:
PJ3093B- LC 00 1
 (1) (2) (3) (4) (5) (6) (7)

(1):Series No.
 (2):Schematic option:A, B, D, F, I, J, K, M, P, Q, R, S, U, Y, H, T, L
 (3):Material of housing:
 LC=LCP (Standard)
 (4):Housing color:
 0A=Black (Standard)
 2L=Pink (701C/0510=LCP)
 5G=Green(577C/0507=LCP)
 6A=Blue(284C/0506=LCP)
 8F=Gray(422C/0477=LCP)
 (5):Terminal plating
 S=Silver(Ag) (Standard)
 G=Gold(Au)
 (6):Special option:
 00=No special option
 (7):Packing mode:
 1=Tape reel packing

Specification:

- Rating : DC 30V 0.5A.
- Contact resistance: ≤50mΩ.
After test: ≤100mΩ.
- Insulation resistance: ≥100MΩ (500VDC).
After test: ≥50MΩ.
- Withstanding voltage: 500VAC.
- Insertion and extraction force: 3N~30N.
- life test: 5000cycles min.
- Operation temperature range:-20°C~70°C.
- Preservative temperature range:-40°C~85°C.
- Sign"▲" is importance dimension.

⑦ Mylar	1	Polyimide	T0.05*W6*L12.5		
⑥ Shunt terminal	⑤ 1	Phosphor bronze t0.2	PJ30930-05(WP-1300)	Silver/Gold plating	
⑤ Shunt terminal	⑧ 1	Phosphor bronze t0.2	PJ30930-08(WP-1301)	Silver/Gold plating	
④ Shunt terminal	⑥ ⑦ 2	Phosphor bronze t0.2	PJ30930-06(PP-1304)	Silver/Gold plating	
③ Tip spring	② 1	Stainless steel t0.25	PJ30930-02(JA-1303)	Silver/Gold plating	
② Ring spring	① ④ ③ 3	Stainless steel t0.25	PJ30930-01(JA-1302)	Silver/Gold plating	
① Housing	1	LCP	PJ3093B-S1(ST-1262)		
NO.	DESCRIPTION	QTY	MATERIAL	PART NO.	REMARK
UNIT: MM		TYPE:		MODEL NO:	
		∅3.5 PHONE JACK		PJ3093B- LC _ _ _001	
DESIGNER BY:		Bull.pan 2011.08.03		PAPER NO: A4	
CHECK BY:		Matt 2011.08.03		PAGE 1 OF 1	
APPROVED BY:		Ocean 2011.08.03		TOLERANCE: ±0.3	
				ANGLES: ±2°	
				SCALE: N/A	
				VER: 04	

H D C 有限公司