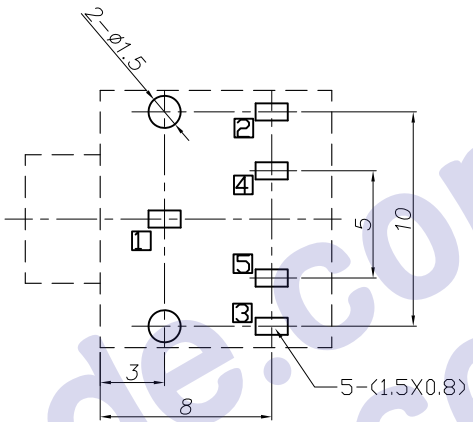
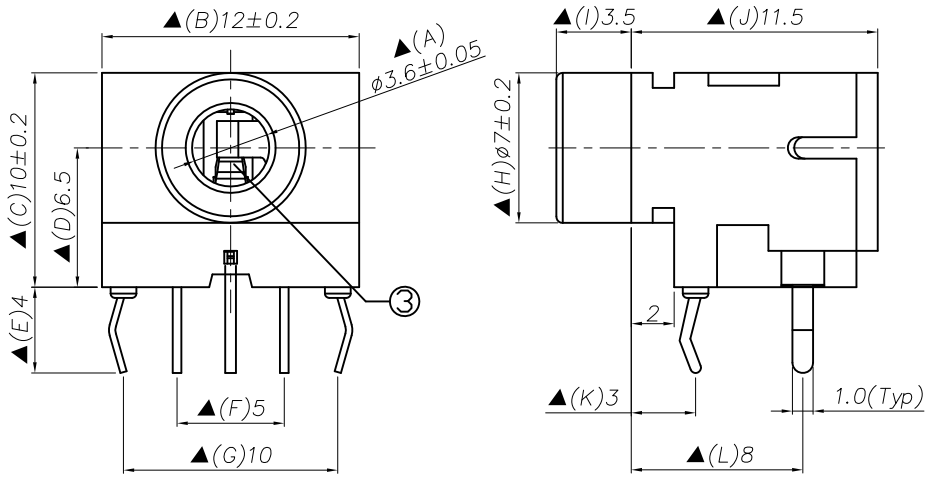
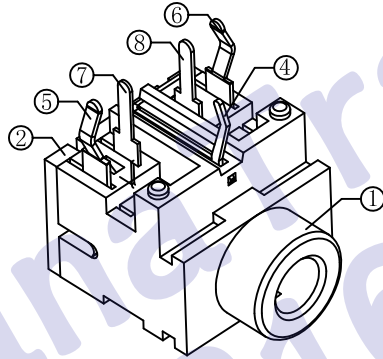
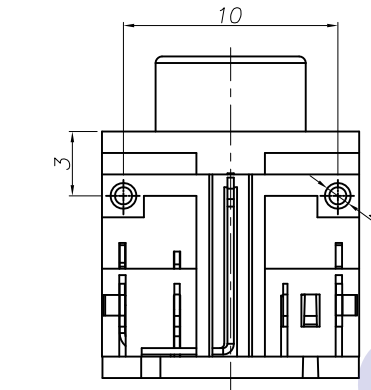


REV. LTR.	DESCRIPTION	SIGN	DATE
▲1	Part No. changed	Michael	2008.09.01
▲2	Update drawing	Michael	2011.04.23
▲3	Update Schematic	Sunny	2013.07.02



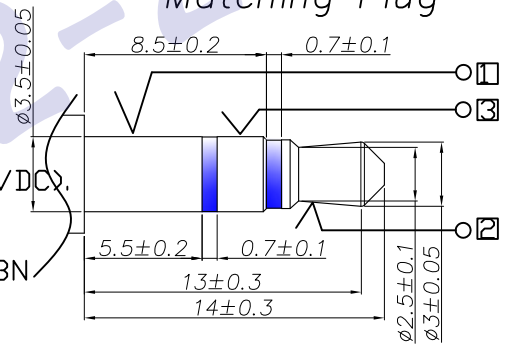
Ordering information:  
PJ30970 L PB?? I 00 3  
 (1) (2)(3)(4) (5)(6)(7)  
 (1):Series No.  
 (2):Schematic option: L  
 (3):Material of housing:  
 PB=PBT  
 (4):Housing and cover color:  
 0A=Black 2R=Red(0046)  
 Zero 5F=Green(0045)  
 (5):Terminal plating  
 T=Tin(Sn)  
 (6):Special option:  
 00=No Earth spring  
 (7):Packing mode:  
 3=Plastic box packing

▲3	Model No.	PJ30970-L
	Schematic	



Specification:  
 1.Rating ?DC 30V 0.5A.  
 2.Contact resistance? $\leq 50m\Omega$ .  
 After test: $\leq 100m\Omega$   
 3.Insulation resistance??100M? (<500VDC).  
 After test:50M?  
 4.Withstanding voltage?500VAC.  
 5.Insertion and extraction force?3N  
 6.life test?5000cycles min.  
 7.Operation temperature range?-20  
 8.Preservation temperature range:-40  
 9.Sign? "is importance dimension.

Matching Plug



8	Make terminal	5	1	Brass t0.25	PJ30960-05	Tin plating
7	Transfer terminal	4	1	Stainless steel t0.2	PJ30960-04	Tin plating
6	Ring spring	3	1	Phosphor bronze t0.25	PJ30170-02	Tin plating
5	Tip spring	2	1	Phosphor bronze t0.3	PJ30960-02	Tin plating
4	Earth terminal	1	1	Phosphor bronze t0.3	PJ30970-01	Tin plating
3	Insulator		1	POM,UL 94HB	PJ30870-S4	Black
2	Cover		1	PBT,UL 94V-0	PJ30970-S2	
1	Housing		1	PBT,UL 94V-0	PJ30970-S1	
NO.	DESCRIPTION	QTY	MATERIAL	PART NO.	REMARK	

UNIT:MM	TYPE:	MODEL NO.:	PAPER NO: A4	PAGE 1 OF 1
	3.5 PHONE JACK	PJ30970-LPB_	TOLERANCE: $\pm 0.3$	ANGLES: $\pm 2^\circ$
DESIGNER BY:	Sunny 2013.07.02		SCALE: FULL	VER: 4

HDC有限公司