

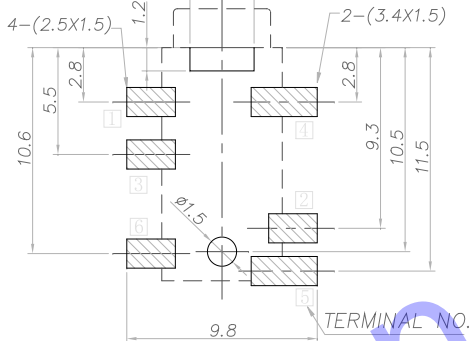
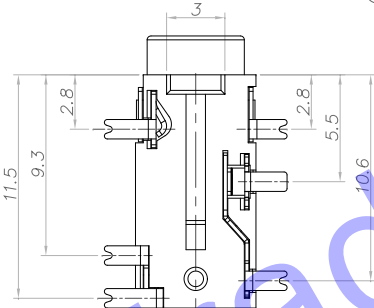
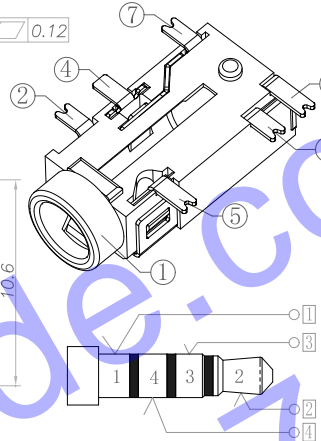
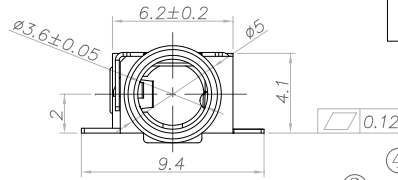
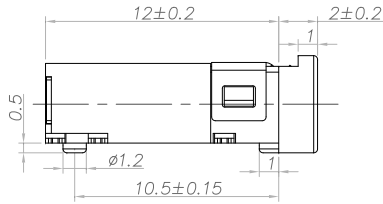
REV. LTR.

DESCRIPTION

SIGN

DATE

Bingo 2009.03.17



Model No.	PJ31060-I	PJ31060-J	PJ31060-M
Schematic code			
Model No.	PJ31060-A	PJ31060-B	PJ31060-D
Schematic code			

Circuit Diagram □:Terminal No.

Ordering information:

PJ31060-□ 9T □□ G □□ □
 (1) (2) (3) (4) (5) (6) (7)

- (1):Series No
- (2):Schematic option:I J M A B D
- (3):Material of housing:
9T=PA9T
- (4):Housing color:
0A=Black
1 =Brown 2 =Red 3 =Orange
4 =Yellow 5 =Green 6 =Blue
7 =Purple 8 =Gray 9 =White
- (5):Terminal plating
G:Gold (Au)
- (6):Special option:
00:No special option
- (7):Packing mode:
1:Reel packing(standard)

SPECIFICATION

- 1.Rating : DC 30V 1.0A;
- 2.Contact resistance: $\le 30m\Omega$;
- 3.Insulation resistance: >math>\ge 100M\Omega</math> (DC250V);
- 4.Withstand voltage: 500VAC ;
- 5.Insertion and extraction force: 3-30N;
- 6.life test: 5000 cycles.

⑦	Shunt terminal	⑥	1	Brass T=0.2	PJ31060-06	Ni:20u"Min;Au:30u"Min
⑥	Shunt terminal	⑤	1	Brass T=0.25	PJ31060-05	Ni:20u"Min;Au:30u"Min
⑤	Ring spring	④	1	Phosphor bronze T=0.25	PJ31060-04	Ni:20u"Min;Au:30u"Min
④	Ring spring	③	1	BeCu T=0.2	PJ31060-03	Ni:20u"Min;Au:30u"Min
③	Tip spring	②	1	BeCu T=0.25	PJ31060-02	Ni:20u"Min;Au:30u"Min
②	Earth spring	①	1	Phosphor bronze T=0.2	PJ31060-01	Ni:20u"Min;Au:30u"Min
①	housing		1	PA9T,UL94 V-0	PJ31060-01	

NO.	DESCRIPTION	QTY	MATERIAL	PART NO.	PLATING
UNIT:MM	TYPE:	MODEL NO.:		PAPER NO: A4	
	3.5 PHONE JACK	PJ31060-_-_-_-_-		PAGE 1 OF 1	
			TOLERANCE	ANGLES	SCALE
			±0.3	???	FULL
			VER	1	

DESIGNER BY: Bingo 2009.03.17
 CHECK BY:
 APPROVED BY:

HDC 有限公司