

Ordering information:

PJ31080 - L PB □□ T 00 □

(1) (2) (3) (4) (5) (6) (7)

(1):Series No.

(2):Schematic option: L

(3):Material of housing:  
PB=PBT (Standard)

(4):Housing color:

Zero 0A=Black 2R=Red (0388)

5B=Green (0387)

6A=Blue (284C/0011)

(5):Terminal plating

T=Tin (Sn) (Standard)

(6):Special option:

00=No special option

(7):Packing mode:

3=Plastic box packing

4=Bag packing

Specification:

1.Rating ?DC 30V 0.5A?

2.Contact resistance?≤50mΩ?

After test:≤100mΩ

3.Insulation resistance??100MΩ (500VDC)?

After test:≥50MΩ

4.Withstand voltage?500VAC ?

5.Insertion and extraction force?3N~5N?

6.life test?5000cycles min?

7.Operation temperature range?−20?

8.Preservative temperature range:−40?

9.Sign"? "is importance dimension

REV. LTR.

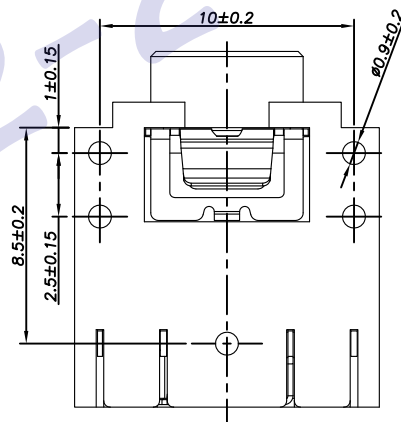
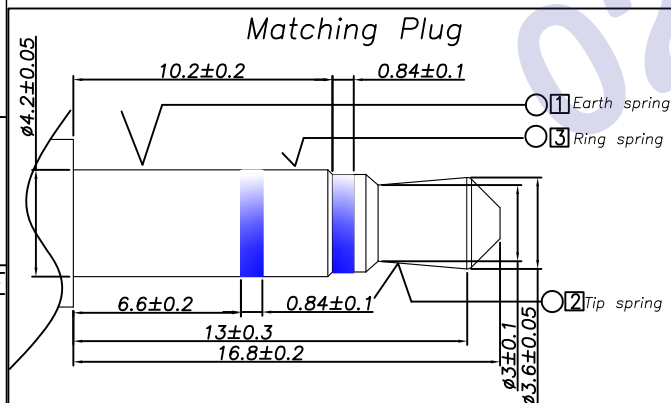
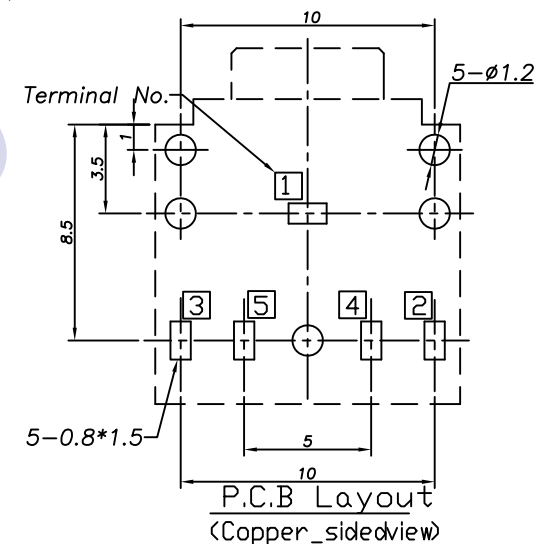
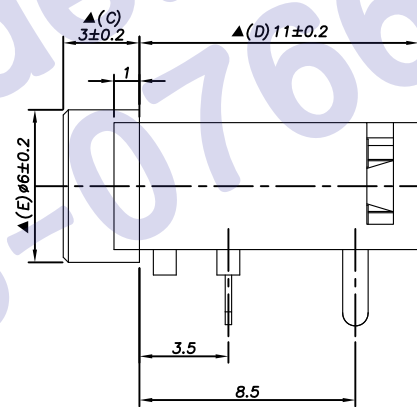
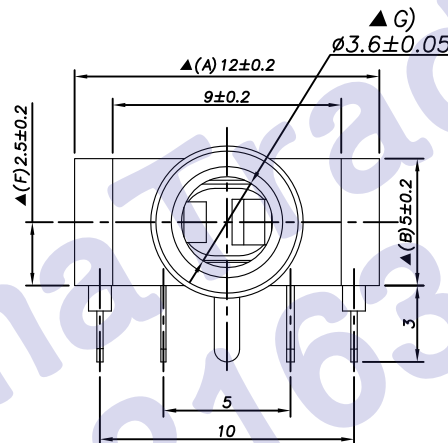
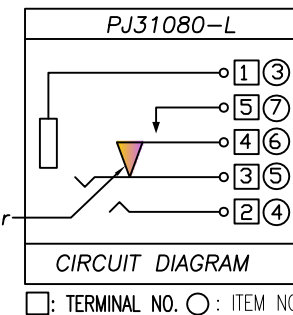
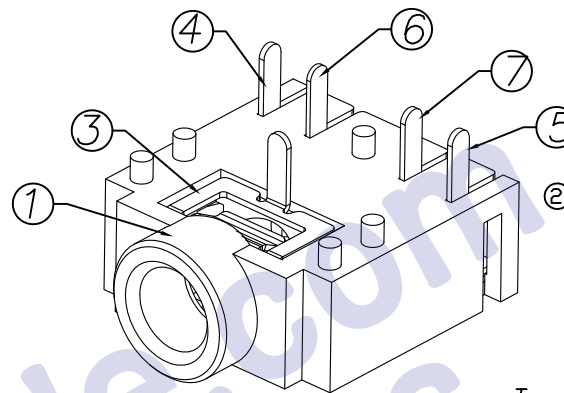
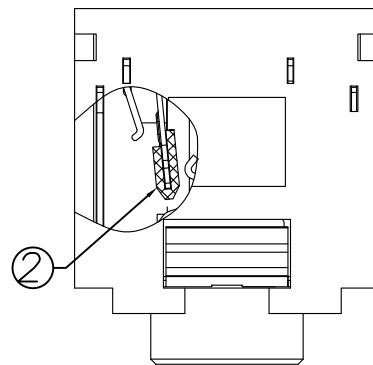


Add the key sizes of sign

SIGN

DATE

yang gang 2010.06.23



①	Break termin	5	1	Phosphor bronze 0.25t	PJ31080-05	Tin(Sn) plating
②	Transfer spring	4	1	Phosphor bronze 0.20t	PJ31080-04	Tin(Sn) plating
③	Ring spring	3	1	Phosphor bronze 0.25t	PJ31080-03	Tin(Sn) plating
④	Tip spring	2	1	Stainless steel 0.20t	PJ31080-02	Tin(Sn) plating
⑤	Earth terminal	1	1	Phosphor bronze 0.25t	PJ3007G-01 (JA-JK0044)	Tin(Sn) plating
⑥	Insulator		1	POM,UL-94HB	PJ31080-S4	Black
⑦	Housing		1	PBT,UL-94V-0	PJ31080-S1	

NO.	DESCRIPTION	QTY	MATERIAL	PLATING
-----	-------------	-----	----------	---------

UNIT:MM	TYPE:	MODEL NO:	PAPER NO: A4	PAGE 1 OF 1
	∅3.5 PHONE JACK (90° Dip type)	PJ31080-LPB _ _ T00_	TOLERANCE	ANGLES
			±0.3	±2°
			SCALE	VER
			FULL	03

DESIGNER BY: YangGang 2010.06.23  
CHECK BY:  
APPROVED BY:

HDC有限公司