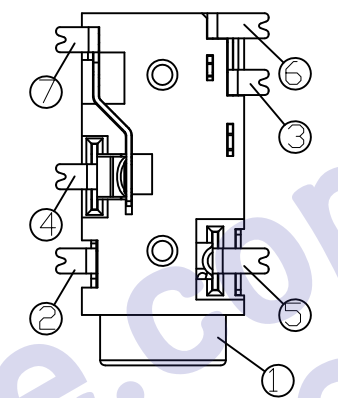
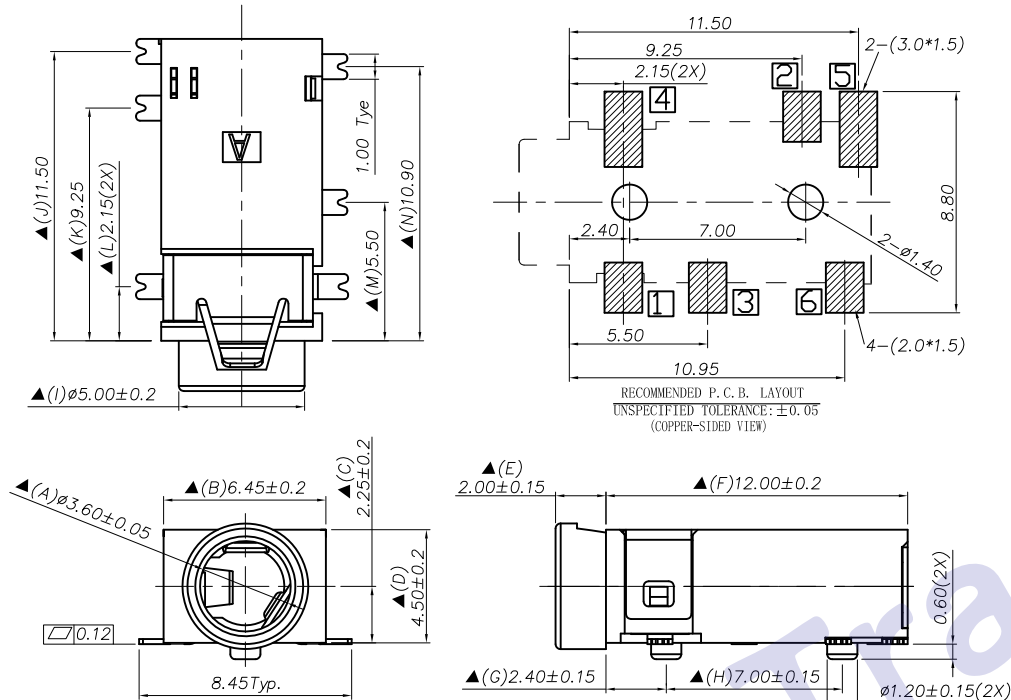


REV. LTR.	DESCRIPTION	SIGN	DATE
	Update drawing	Bull.pan	2011.03.31



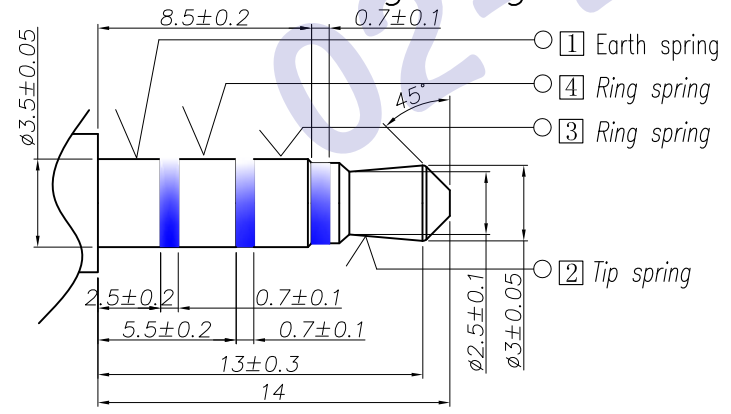
Ordering information:
PJ31160-□ 9T 0A S 00 1
 (1) (2) (3) (4) (5) (6) (7)
 (1): Series No
 (2): Schematic option:
 I, J, M, K, A, B, D
 (3): Material of housing:
 9T=PA9T
 (4): Housing color:
 Zero 0A=Black
 (5): Terminal plating:
 S=Silver (Ag)
 (6): Special option:
 00=No special option
 (7): Packing mode:
 1=Tape reel packing

Specification:

- Rating : DC 30V 0.5A.
- Contact resistance: $\leq 30m\Omega$.
After test: $\leq 50m\Omega$.
- Insulation resistance: $\geq 100M\Omega$ (500VDC).
After test: $\geq 50M\Omega$.
- Withstand voltage: 500VAC.
- Insertion and extraction force: 3N~30N.
- life test: 5000cycles min.
- Operation temperature range: $-20^{\circ}C \sim 70^{\circ}C$.
- Preservative temperature range: $-40^{\circ}C \sim 85^{\circ}C$.
- Sign "▲" is importance dimension.

Model No.	PJ31160-I	PJ31160-J	PJ31160-M	PJ31160-K	PJ31160-A	PJ31160-B	PJ31160-D
Schematic code							

Circuit Diagram □: Terminal No. Matching Plug



7	Shunt terminal	6	1	Brass 0.2t	PJ31160-06	Silver plating
6	Shunt terminal	5	1	Brass 0.2t	PJ31160-05	Silver plating
5	Ring spring	4	1	Phosphor bronze 0.2t	PJ31160-04	Silver plating
4	Ring spring	3	1	Phosphor bronze 0.2t	PJ31160-03	Silver plating
3	Tip spring	2	1	Phosphor bronze 0.2t	PJ31160-02	Silver plating
2	Earth spring	1	1	Phosphor bronze 0.2t	PJ31160-01	Silver plating
1	Housing		1	PA9T+33%GF, UL94 V-0	PJ31160-S1	Black

NO.	DESCRIPTION	QTY	MATERIAL	PART NO.	REMARK
UNIT:MM	TYPE:	MODEL NO.:	PAPER NO: A4	PAGE 1 OF 1	
	3.5 PHONE JACK	PJ31160-_9T0AS001	TOLERANCE ±0.3	ANGLES ±2°	SCALE FULL

DESIGNER BY: Bull.pan 2011.03.31
 CHECK BY:
 APPROVED BY:

HDC有限公司