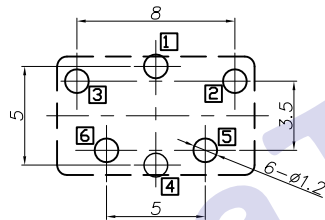
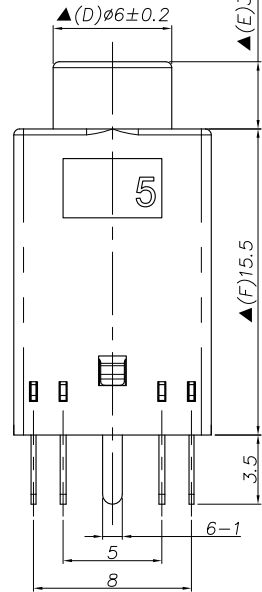
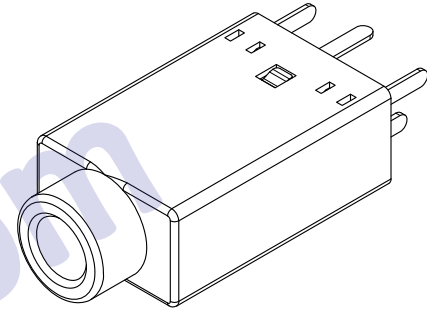
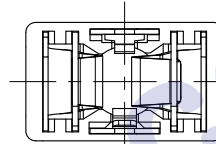
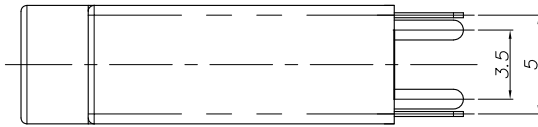
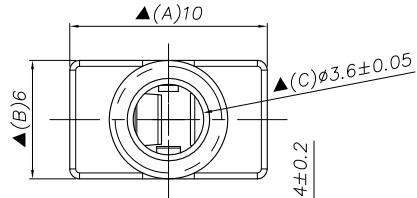
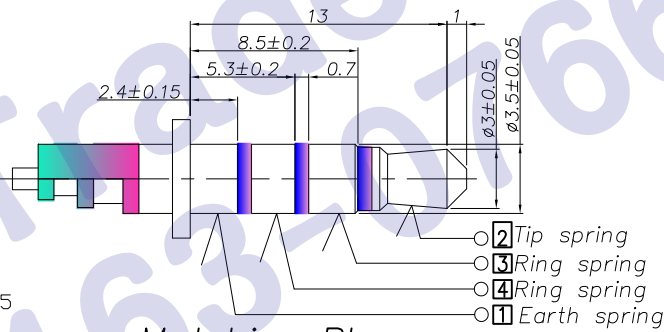


Model No.	PJ31590+	PJ31590J	PJ31590M	PJ31590A	PJ31590B	PJ31590D
Schematic						

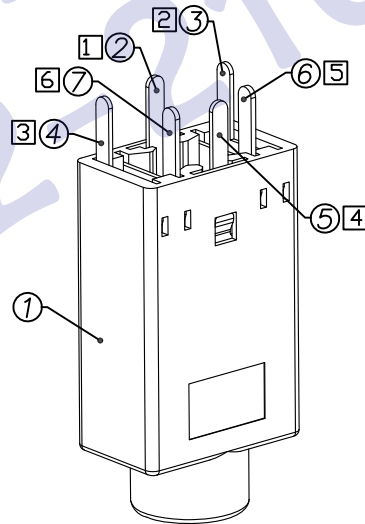
□: TERMINAL NO.



RECOMMENDED P.C.B. LAYOUT
UNSPECIFIED TOLERANCE:±0.05
(Copper-sided view)



Matching Plug



Specification:

- Rating ?DC 30V 0.5A?
- Contact resistance?≤30m??
After life test:≤50m?
- Insulation resistance??100M? (500VDC)?
After life test:?50M?
- Withstand voltage?500VAC ?
- Insertion and extraction force?5N?35N?
- life test?5000cycles min?
- Operation temperature range?20
- Preservative temperature range?20
- Sign"? "is importance dimension

REV. LTR.	DESCRIPTION	SIGN	DATE

Ordering information:

PJ31590 - □ PB □ □ S 00 3

- Series No.
- Schematic option: I J M A B D
- Material of housing:
PB=PBT(default)
- Housing color:
0A=Black 2L=Red(701C)
5G=Green(577C) 6A=Blue(284C)
- Terminal plating
S=Silver(Ag)(default)
- Special option:
00=No special option
- Packing mode:
3=Plastic box packing

ITEM	DESCRIPTION	QTY	MATERIAL	PART NO.	REMARK
7	Shunt terminal	6	1 Brass 0.3t	PJ31590-06	Silver plating
6	Shunt terminal	5	1 Brass 0.3t	PJ31590-05	Silver plating
5	Ring spring	4	1 Phosphor bronze 0.25t	PJ31590-04	Silver plating
4	Ring spring	3	1 Phosphor bronze 0.25t	PJ31590-03	Silver plating
3	Tip spring	2	1 Phosphor bronze 0.25t	PJ31590-02	Silver plating
2	Earth spring	1	1 Phosphor bronze 0.25t	PJ31590-01	Silver plating
1	Housing	1	1 PBT,UL-94V-0	PJ31590-S1	

UNIT:MM	TYPE:	MODEL NO:	PAPER NO: A4	PAGE 1 OF 1
⊕	ø3.5 PHONE JACK (180°Dip type)	PJ31590-_-PB-_-S003	TOLERANCE	ANGLES
			±0.25	±2°
			SCALE	VER
			FULL	03

DESIGNER BY: K J P 2011.3.26
CHECK BY:
APPROVED BY:

HDC有限公司