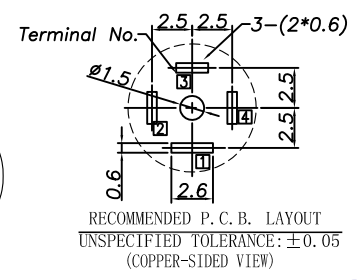
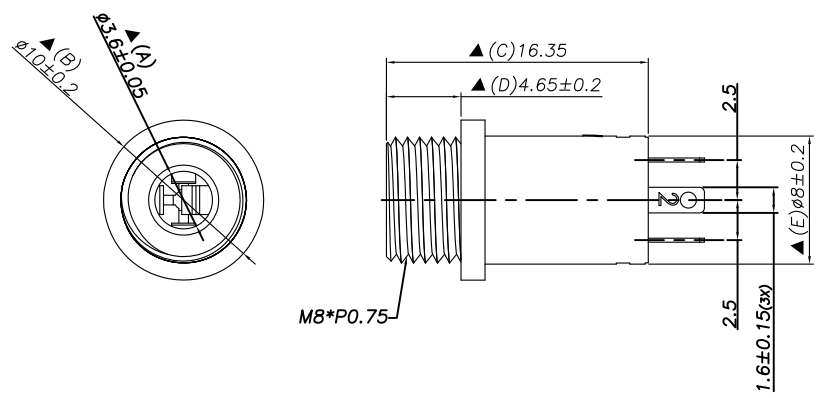
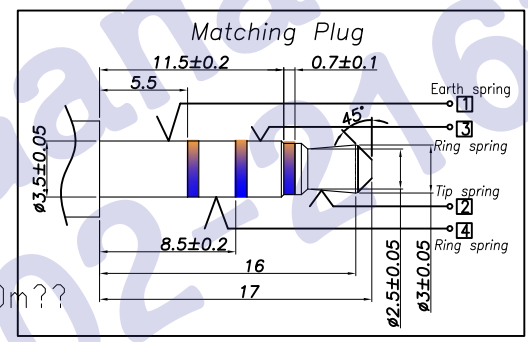
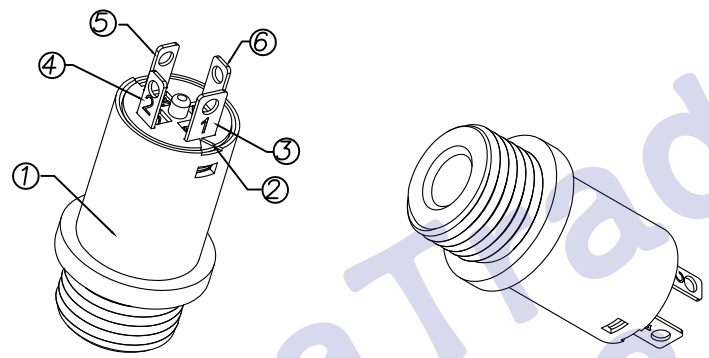
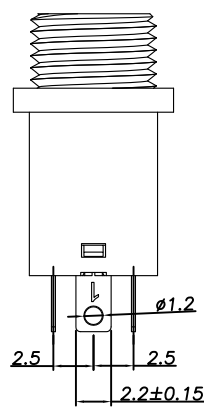
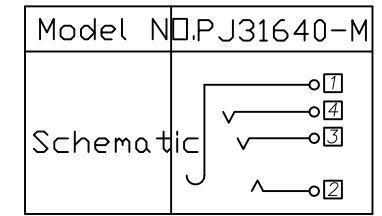
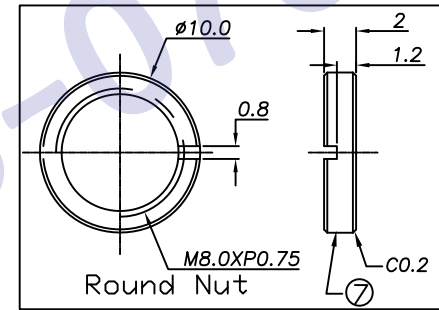
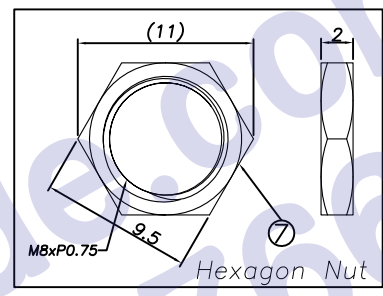


| REV. | LTR. | DESCRIPTION | SIGN | DATE |
|------|------|----------------------------------|--------|------------|
| △ | | Add the plating type of terminal | Zengyu | 2010.05.26 |
| | | Add round nut option | Matt | 2012.02.18 |



- Ordering information:
- PJ31640 660A ? ?? 4
 (1) (2) (3) (4) (5) (6) (7)
- (1):Series No
 (2):Schematic option: M
 (3):Material of housing:
 66=PA66
 (4):Housing color:
 0A=Black (Standard)
 (5):Terminal plating
 G=Gold(Au)
 S:Silver(Ag)(Standard)
 (6) :Special option
 00:No special option,without nut
 0N:With hexagon nut
 0R:With round nut
 (7) :Packing mode:
 4:Bag packing



Specification:

- Rating ?DC 30V 0.5A?
- Contact resistance?≤30m??
After test:≤50m?
- Insulation resistance??100M? (500VDC)?
After test:~50M?
- Withstand voltage?500VAC ?
- Insertion and extraction force??3N
- life test?5000cycles min?
- Operation temperature range??-20
- Preservative temperature range??-40
- Sign"? "is importance dimension?

| | | | | | |
|---|----------------|---|-----------------------|-----------------|---------------------|
| ⑦ | Nut | 1 | Brass | NTM08075H0-BSNO | Nickel plating |
| ⑥ | Ring spring ④ | 1 | Phosphor bronze t0.25 | PJ31640-04 | Siller/Gold plating |
| ⑤ | Ring spring ③ | 1 | Phosphor bronze t0.25 | PJ31640-03 | Siller/Gold plating |
| ④ | Tip spring ② | 1 | Phosphor bronze t0.25 | PJ31640-02 | Siller/Gold plating |
| ③ | Earth spring ① | 1 | Phosphor bronze t0.25 | PJ31640-01 | Siller/Gold plating |
| ② | Cover | 1 | PA66 | PJ31640-S2 | Black |
| ① | Housing | 1 | PA66 | PJ31640-S1 | Black |

| UNIT:MM | TYPE: | MODEL NO: | PAPER NO: A4 | PAGE 1 OF 1 | |
|---------|-----------------|---------------------|--------------|-------------|-------|
| ⊕ | Ø3.5 PHONE JACK | PJ31640-M660A_ _ _4 | TOLERANCE | ANGLES | SCALE |
| | | | ±0.3 | ±2° | FULL |
| | | | | | VER |
| | | | | | 3 |

DESIGNER BY: Matt 2012.02.18
 CHECK BY: Mei 2012.02.18
 APPROVED BY: Ocean 2012.02.18

HDC有限公司