

Ordering information:

PJ31830-□ 9T □□ G 00 1

(1) (2) (3) (4) (5) (6) (7)

(1): Series No.

(2): Schematic option: I,A,B,D,M

(3): Material of housing:

9T=PA9T(Standard)

(4): Bushing or Housing color:

0A=Black

2L=Pink (701C/405)

Zero

5G=Lime (577C/406)

6A=Blue (284C/432)

(5): Terminal plating

G=Gold(Au)(Standard)

S=Silver(Ag)

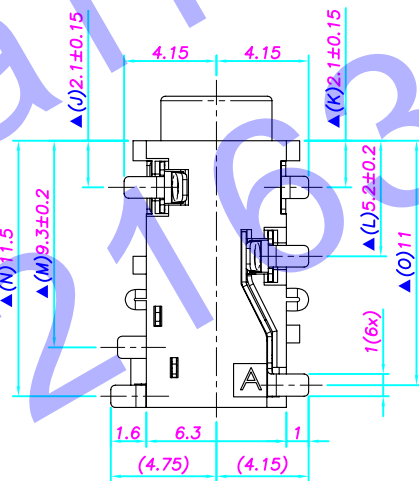
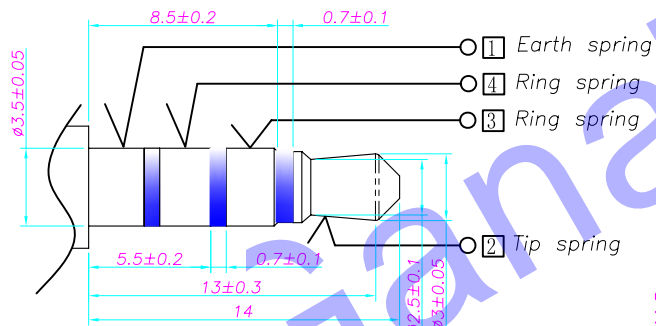
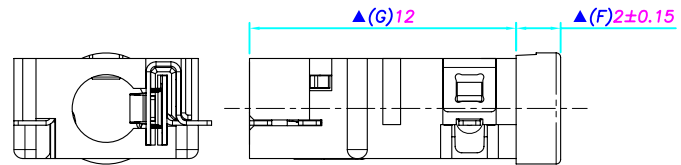
(6): Special option:

00=No special option

(7): Packing mode:

1=Tape reel packing

Matching Plug



Specification:

1. Rating : DC 30V 0.5A;
 2. Contact resistance: $\leq 30m\Omega$;
After life test: $\leq 50m\Omega$
 3. Insulation resistance: $\geq 100M\Omega$ (500VDC);
After life test: $\geq 50M\Omega$
 4. Withstand voltage: 500VAC ;
 5. Insertion and extraction force: 3N~30N;
 6. life test: 5000cycles min;
 7. Operation temperature range: $-20^{\circ}C \sim 70^{\circ}C$
 8. Preservative temperature range: $-25^{\circ}C \sim 80^{\circ}C$
- Sign "▲" is importance dimension.

Model No.	PJ31830-I	PJ31830-A	PJ31830-B	PJ31830-M
Schematic				

□: TERMINAL NO.

⑤	Shunt terminal	⑥	1	Brass t0.2	PJ31830-06	Gold plating
⑤	Shunt terminal	⑤	1	Phosphor bronze t0.2	PJ31830-05	Gold plating
④	Ring spring	③ ④	2	Phosphor bronze t0.2	PJ31830-03	Gold plating
③	Tip spring	②	1	Phosphor bronze t0.2	PJ31830-02	Gold plating
②	Earth spring	①	1	Phosphor bronze t0.2	PJ31830-01	Gold plating
①	Housing		1	PA9T	PJ31830-S1	Black
NO.	DESCRIPTION	QTY	MATERIAL	PART NO.	REMARK	

UNIT:MM	TYPE:	MODEL NO:	PAPER NO: A4	PAGE 1 OF 1
	$\phi 3.5$ PHONE JACK (SINK TYPE)	PJ31830-__9T__	TOLERANCE	ANGLES
		G001	± 0.3	$\pm 2^{\circ}$
DESIGNER BY:	YUJUN 2009.9.10		SCALE	VER
CHECK BY:			FULL	0
APPROVED BY:				

H D C 有限公司