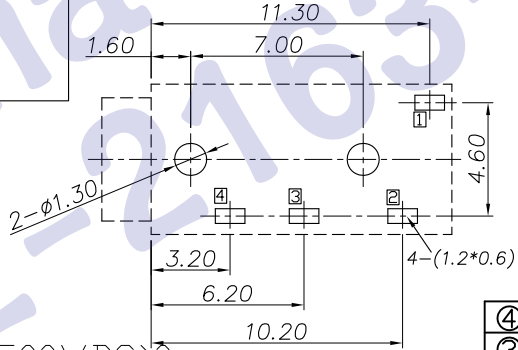
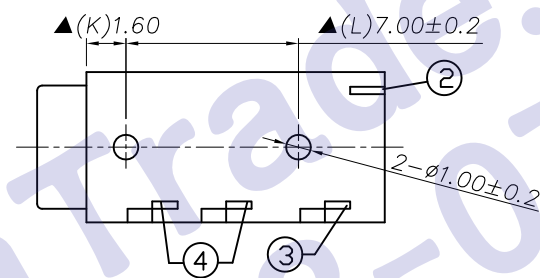
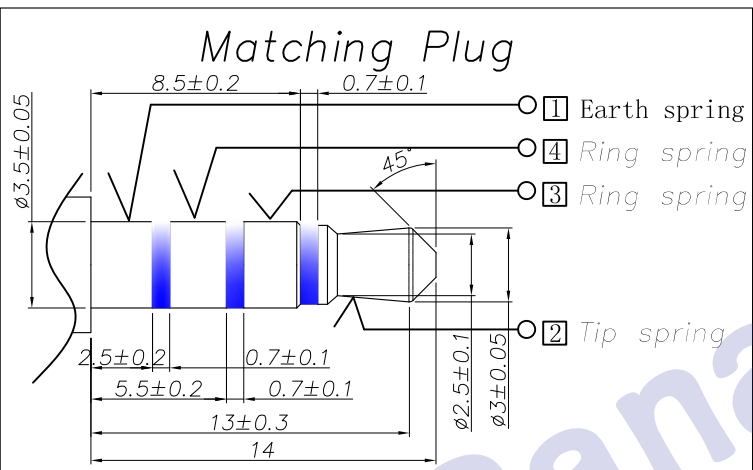
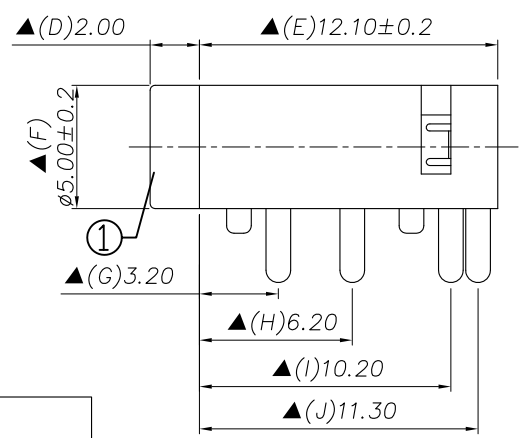
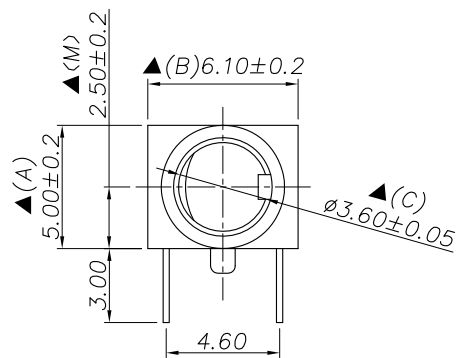


REV. LTR.	DESCRIPTION	SIGN	DATE
①	Instead Scheme	CHENBIN	2010.01.22
②X1	Increase housing color	PD X	2011.03.12



Ordering information:  
 PJ320AS PB?? S004  
 (1) (2)(3) (4)(5)(6)(7)  
 (1) Series No  
 (2) Schematic option: M, D  
 (3) Material of housing:  
 PB=PBT 9T=PA9T  
 (4) Housing color:  
 0A=Black  
 2R=Red(204C/0046)  
 5F=Green(359C/0045)  
 (5) Terminal plating: S=Silver(Ag)  
 (6) Special option:  
 00=No special option  
 (7) Packing mode:  
 3=Plastic box packing  
 4=Bag packing

Model NO.	PJ320AS-M	PJ320AS-D
Schematic		

Specification:

- Rating ?DC 30V 0.5A?
- Contact resistance?≤50m??  
After test:≤100m??
- Insulation resistance??100M? (500VDC)?  
After test:50M??
- Withstand voltage?500VAC ?
- Insertion and extraction force??3N?
- life test?5000cycles min?
- Operation temperature range??-20
- Preservative temperature range??-40
- Sign"? "is importance dimension?"

④	Ring spring	③④	2	Phosphor bronze T=0.25	PJ320A-03(JA-549)	Silver plating
③	Tip spring	②	1	Phosphor bronze T=0.25	PJ320A-02(JA-1319)	Silver plating
②	Earth spring	①	1	Stainless steel T=0.20	PJ320A-01(TP-548)	Silver plating
①	Housing		1	PBT/PA9T	PJ320AS-S1	

NO.	DESCRIPTION	QTY	MATERIAL	PART NO.	PLATING
UNIT:MM TYPE: ∅3.5 PHONE JACK MODEL NO: PJ320AS-___S004 PAPER NO: A4 PAGE 1 OF 1					
		TOLERANCE	ANGLES	SCALE	VER
		±0.3	±2°	FULL	2

DESIGNER BY: Pingdong Xiao 2011.03.11

CHECK BY:  
APPROVED BY:

HDC有限公司