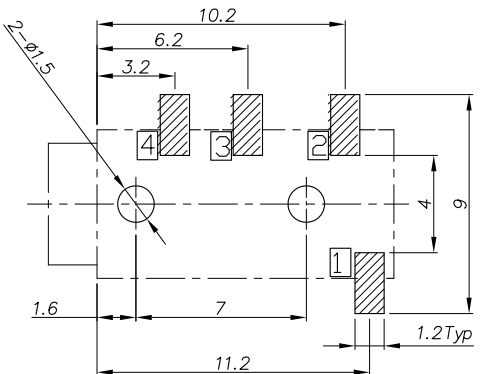
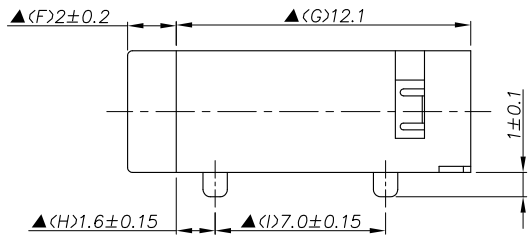
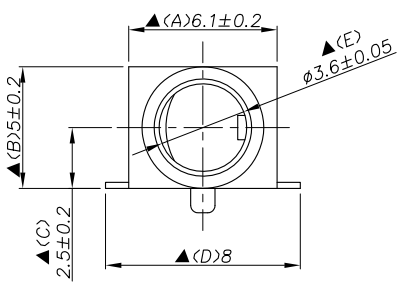
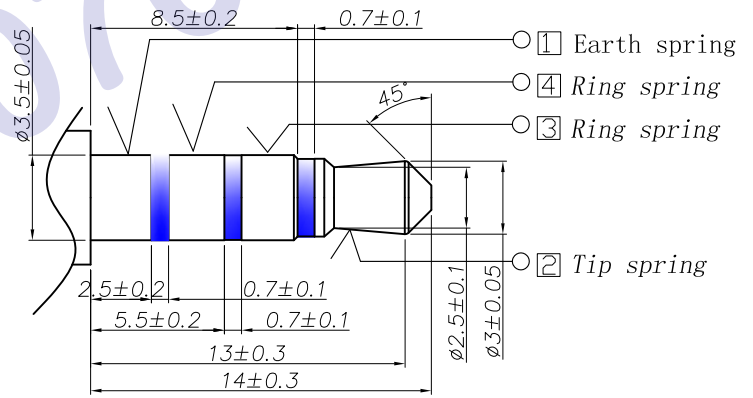
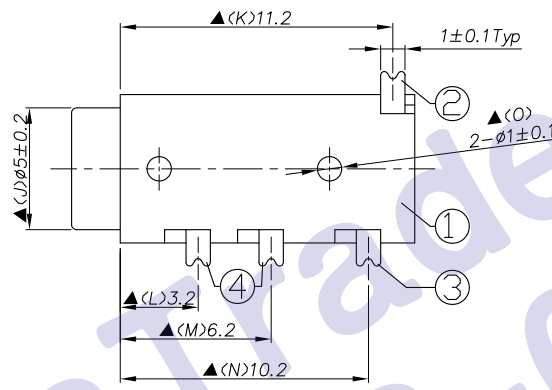


REV. LTR.	DESCRIPTION	SIGN	DATE
	Instead scheme	CHENBIN	2009.12.17

Ordering information:
 PJ320DS 9T0A? 00 1
 (1) (2) (3) (4) (5) (6) (7)
 (1):Series No
 (2):Schematic option: M D
 (3):Material of housing:9T=PA9T
 (4):Housing color:0A=Black
 (5):Terminal plating:
 S=Silver(Ag) G=Gold(Au)
 (6):Special option:
 00=No special option
 (7):Packing mode:
 1=Reel packing



RECOMMENDED P. C. B. LAYOUT
 UNSPECIFIED TOLERANCE: ±0.05
 (TOP VIEW)



Matching Plug

Model No.	PJ320DS-M	PJ320DS-D
Schematic		

- Specification:
- Rating ?DC 30V 0.5A.
 - Contact resistance?≤50m?.
After test:≤100m?
 - Insulation resistance??100M? (500VDC).
After test:50M?
 - Withstanding voltage?500VAC.
 - Insertion and extraction force?3N
 - life test?5000cycles min.
 - Operation temperature range?-20
 - Preservative temperature range:-40
 - Sign"? "is importance dimension.

④	Ring spring	3&4	2	Phosphor bronze t0.25	PJ3202DS-03	Silver/gold plating
③	Tip spring	2	1	Phosphor bronze t0.25	PJ3202DS-02	Silver/gold plating
②	Earth spring	1	1	Stainless steel t0.2	PJ3202DS-01	Silver/gold plating
①	Housing		1	PA9T	PJ320DS-S1	Black
NO.	DESCRIPTION	QTY	MATERIAL	PART NO.	REMARK	
UNIT:MM	TYPE:	MODEL NO.:		PAPER NO: A4	PAGE 1 OF 1	
	3.5 PHONE JACK	PJ320DS-_9T0A		TOLERANCE	ANGLES	SCALE VER
				±0.3	±2°	FULL 03

DESIGNER BY:	PD X2011.06.15
CHECK BY:	
APPROVED BY:	

HDC有限公司