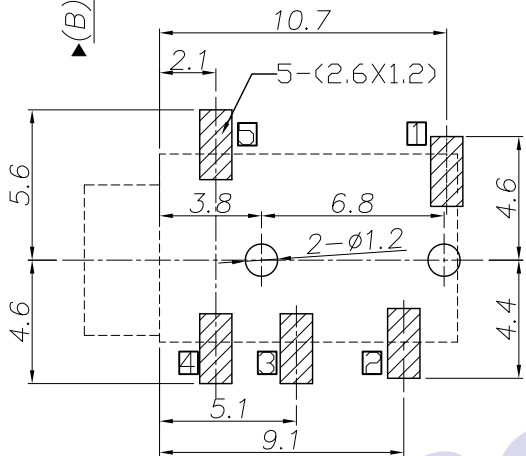
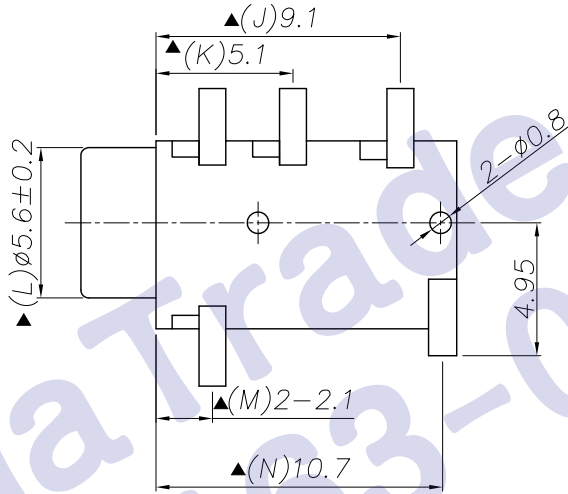
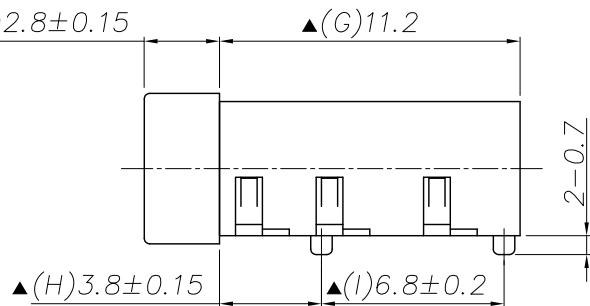
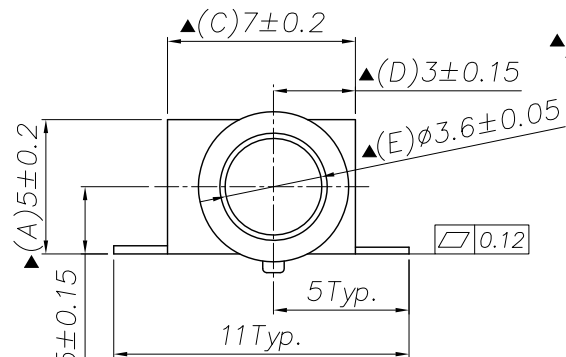
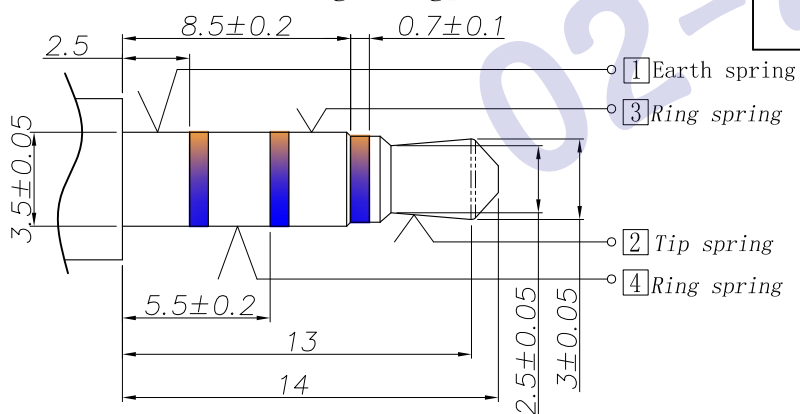


REV. LTR.	DESCRIPTION	SIGN	DATE
△	Instead Scheme	CHENBIN	2009.09.28



P.C.B Layout
(Copper-sided view)

Matching Plug



Ordering information:
PJ320EA 9T0AS 00 1
 (1) (2) (3) (4) (5) (6) (7)
 (1): Series NO.
 (2): Schematic option: D, M
 (3): Material of housing:
 9T=PA9T
 (4): Housing color: 0A=Black
 (5): Terminal plating: S=Silver
 (6): Special option:
 00=No special option
 (7): Packing mode:
 1: Reel packing

SPECIFICATION

- Rating ?DC 30V 0.5A?
- Contact resistance? ≤30m??
- Insulation resistance?? 100M? (DC250V)?
- Withstand voltage? 500VAC ?
- Insertion and extraction force? 3-25N;
- life test? 5,000 cycles;
- Sing"▲ "is importance dimention.

Model No.	PJ320EA-M	PJ320EA-D
Schematic		

④ Dummy	⑤ 1	Brass t=0.30	PJ3020E-D1	Silver plating
③ Tip spring	②&③&④ 3	Phosphor bronze t=0.25	PJ30200-02	Silver plating
② Earth spring	① 1	Stainless steel t=0.20	PJ3020E-01	Silver plating
① Housing	1	PA9T, UL94 V-0	PJ3020E-S1	

NO.	DESCRIPTION	QTY	MATERIAL	PART NO.	PLATING
UNIT:MM	TYPE: φ3.5 PHONE JACK	MODEL NO: PJ320EA- 9T0AS001	PAPER NO: A4	PAGE 1 OF 1	
			TOLERANCE: ±0.3	ANGLES: ±2°	SCALE: FULL VER: 1

DESIGNER BY: CHENBIN 2009.09.28
 CHECK BY:
 APPROVED BY:

HDC有限公司