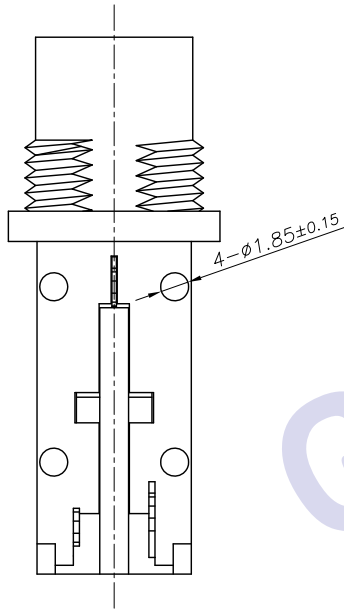
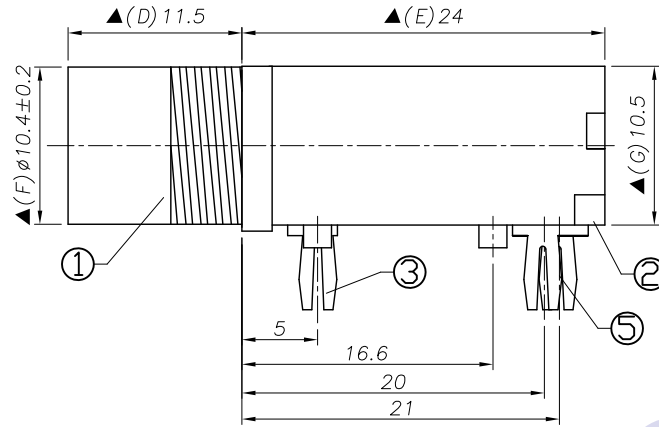
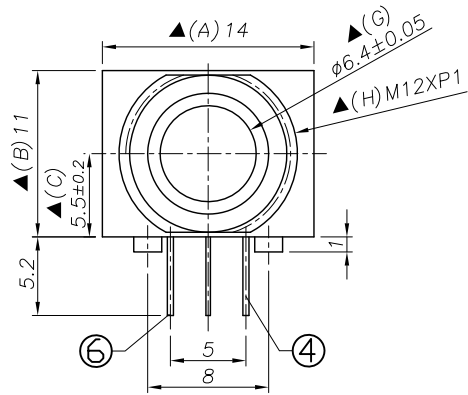
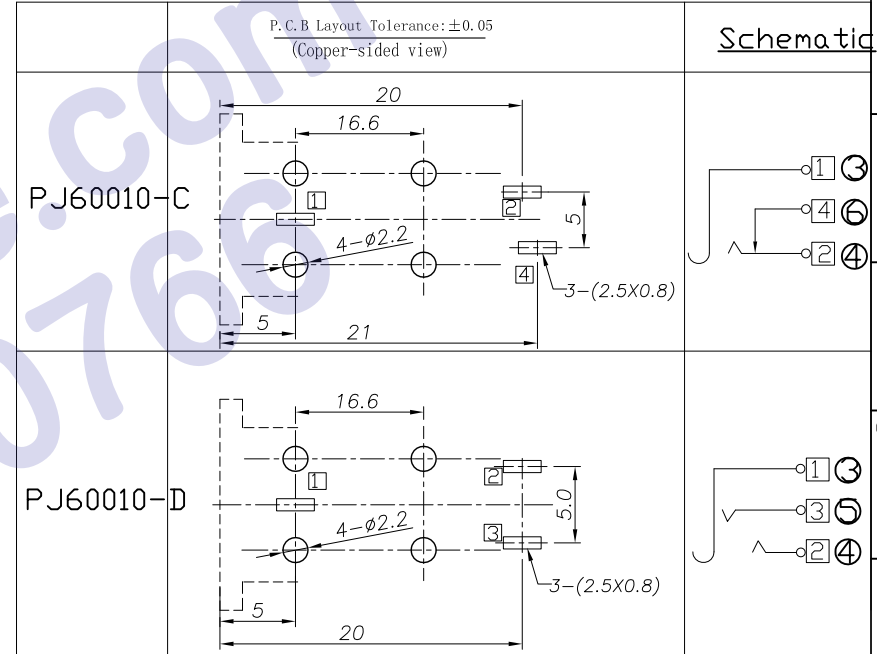


REV. LTR.	DESCRIPTION	SIGN	DATE



- Ordering information:  
 PJ60010 -  PB  S  00   
 (1) (2) (3) (4) (5) (6) (7)
- (1):Series No.  
 (2):Schematic option: C D  
 (3):Material of housing:  
 ABS=ABS  
 PB=PBT (Standard)  
 (4):Housing Color:  
 0A=Black (Standard)  
 (5):Terminal plating  
 S=Silver(Ag) plating (Standard)  
 (6):Special option:  
 00:No special option  
 (7):Packing mode:  
 3=Plastic box packing  
 4:Bag packing

Specification:  
 1.Rating ?DC 30V 1A?  
 2.Contact resistance?≤30mΩ?  
 After test:≤50mΩ  
 3.Insulation resistance??100MΩ (500VDC)?  
 After test:250MΩ  
 4.Withstand voltage?500VAC ?  
 5.Insertion and extraction force?5N5N?  
 6.life test?5000cycles min?  
 7.Operation temperature range?-200?  
 8.Preservative temperature range?-48?  
 9.Sign"? "is importance dimension



:TERMINAL NO. ○:ITEM NO.

NO.	DESCRIPTION	QTY	MATERIAL	PLATING
⑥	Shunt terminal	4	Brass	Silver(Ag) Plating
⑤	Ring spring	3	Phosphor bronze	Silver(Ag) Plating
④	Tip spring	2	Phosphor bronze	Silver(Ag) Plating
③	Earth spring	1	Phosphor bronze	Silver(Ag) Plating
②	Cover	1	PBT/ABS	Black
①	Housing	1	PBT/ABS	Black

UNIT:MM	TYPE:	MODEL NO:	PAPER NO: A4	PAGE 1 OF 1
⊕	ø6.4 PHONE JACK	PJ60010- <input type="checkbox"/> _PB_ <input type="checkbox"/> _S00_	TOLERANCE	ANGLES
DESIGNER BY:	YangGang 2010.10.28		±0.3	±2°
CHECK BY:			SCALE	VER
APPROVED BY:			FULL	1

HDC有限公司