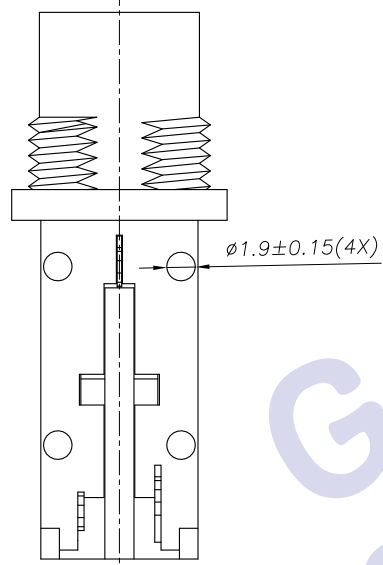
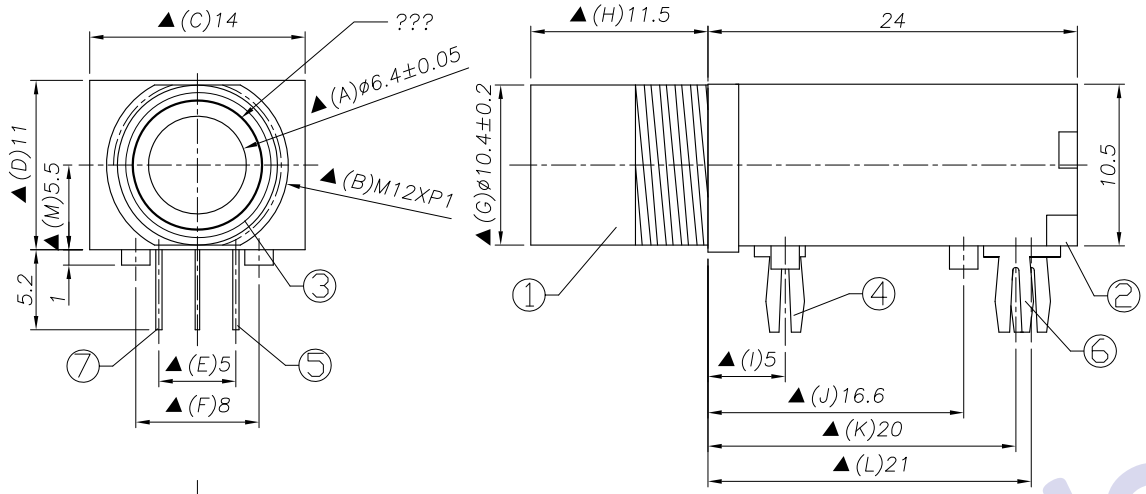


5	6	7	
REV. LTR.	DESCRIPTION	SIGN	DATE
△ X1	Add schematic E	Zhuhong	2009/7/20
	Update drawing	HGN	2012.9.12



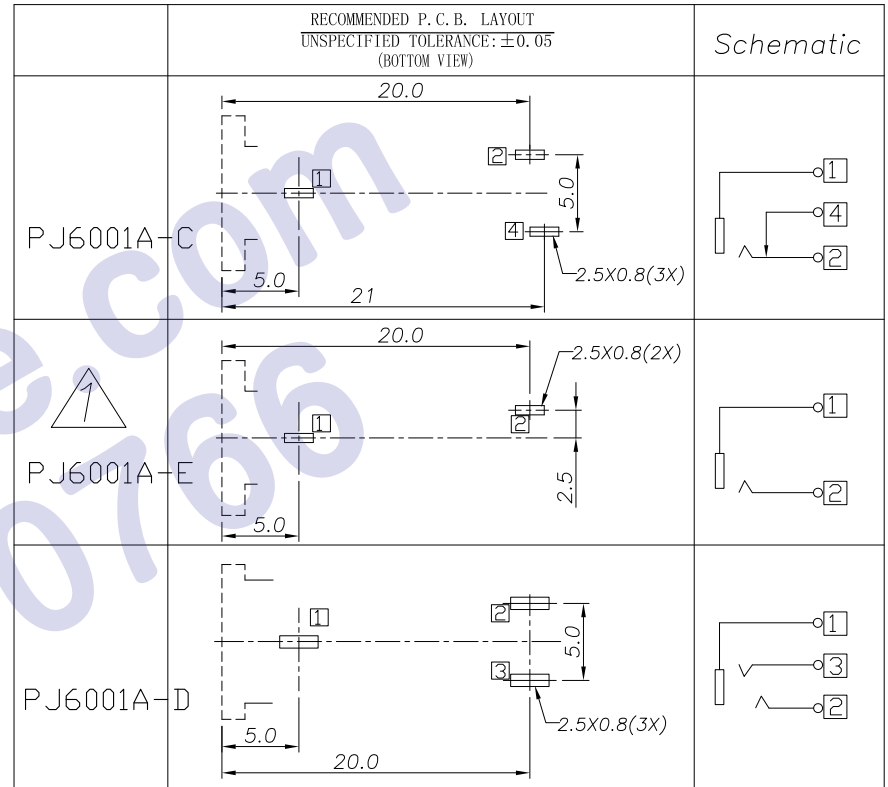
Ordering information:  
 PJ6001A AB0AT ??? 4  
 (1) (2) (3) (4) (5) (6) (7)

(1):Series No  
 (2):Schematic option: C E D  
 (3):Material of housing:  
 AB=ABS (Standard)  
 (4):Housing color:  
 0A=Black(Standard)  
 (5):Terminal plating  
 T=Tin(Sn)(Standard)  
 S=Silver(Ag)  
 G=Gold(Au)  
 (6):Special option

Special option	Cover color	Bushing plating
0N	Black	Nickel
0G	Black	Gold
2N	Red	Nickel
2G	Red	Gold

(7):Packing mode  
 4:Bag packing

Specification:  
 1.Rating ?DC 30V 1A.  
 2.Contact resistance?≤30m?.  
 After test:≤50m?.  
 3.Insulation resistance??100M? (DC250V).  
 After test:??50M?.  
 4.Withstanding voltage?500VAC.  
 5.Insertion and extraction force?25N.  
 6.life test?5000cycles min.  
 7.Operation temperature range?0-20  
 8.Preservative temperature range:-40  
 9.Sign"? "is importance dimension.



□: TERMINAL NO.

⑦	Shunt terminal	④	1	Brass	Tin plating
⑥	Ring spring	③	1	Phosphor bronze	Tin plating
⑤	Tip spring	②	1	Phosphor bronze	Tin plating
④	Earth spring	①	1	Phosphor bronze	Tin plating
③	Bushing(???)		1	Copper alloy	Gold/Nickel plating
②	Cover		1	ABS	
①	Housing		1	ABS	Black
NO.	DESCRIPTION	QTY	MATERIAL	PLATING	
UNIT:MM		TYPE:	MODEL NO:	PAPER NO: A4	PAGE 1 OF 1
		φ6.3 PHONE JACK	PJ6001A-AB0AT-???????	TOLERANCE	ANGLES
DESIGNER BY: Zhang.x.k		2011.06.13			
CHECK BY: Michael		2011.06.13			
APPROVED BY: Ocean		2011.06.13			
				±0.3	±2°
				FULL	4

HDC有限公司