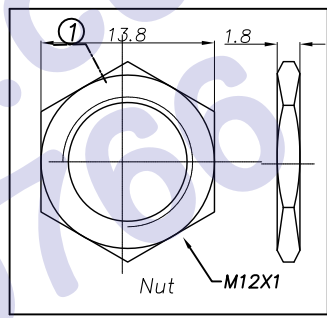
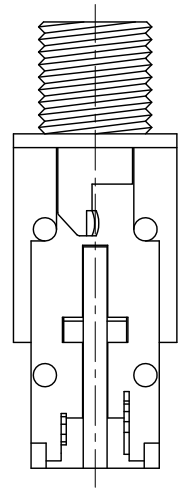
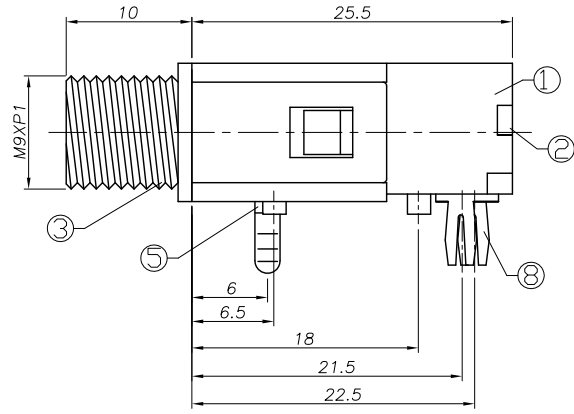
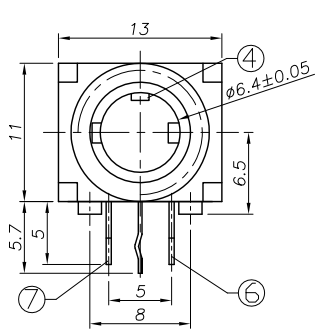


5	6	7
REV. LTR.	DESCRIPTION	SIGN

Ordering information:  
 PJ6001B-? AB 0A T ?? 4  
 ① ② ③ ④ ⑤ ⑥ ⑦  
 :Series No  
 :Schematic option: C D  
 :Material of housing:  
 ④ AB=ABS (Standard)  
 :Housing color:  
 0A=Black (Standard)  
 3\_=Orange  
 4\_=Yellow  
 ⑤ =Green  
 :Terminal plating  
 ⑧ =Iron (Standard)  
 ⑨ =Silver (Ag)  
 ⑩ =Gold (Au)  
 :Special option

Special option	Cover color	Bushing plating
0N	Black	Nickel
0G	Black	Gold
②N	Red	Nickel
2G	Red	Gold

:Packing mode  
 4: Bag packing



	P.C.B Layout (Copper-sided view)	Schematic
PJ6001B-C		
PJ6001B-D		

□: TERMINAL NO. ○: ITEM NO.

SPECIFICATION  
 1. Rating ? DC 30V 1.0A?  
 2. Contact resistance? ≤30mΩ?  
 3. Insulation resistance?? 100MΩ (DC250V)?  
 4. Withstand voltage? 500VAC ?  
 5. Insertion and extraction force? 5-35N;  
 6. life test? 5,000 cycles?

⑧	Shunt terminal	1	Brass	Sn-Plating
⑦	Ring spring	1	Phosphor bronze	Sn-Plating
⑥	Tip spring	1	Phosphor bronze	Sn-Plating
⑤	Earth spring	1	Phosphor bronze	Sn-Plating
④	Earth terminal	1	Iron	Sn-Plating
③	Bushing	1	Brass	Au/Ni-Plating
②	Cover	1	ABS	
①	Housing	1	ABS	Black

UNIT:MM	TYPE:	MODEL NO:	PAPER NO: A4	PAGE 1 OF 1
⊕	∅6.3 PHONE	JACRJ6001B-_AB0AT	TOLERANCE	ANGLES SCALE VER
			±0.3	±2° FULL 1

DESIGNER BY: Zhuhong 2008.08.30  
 CHECK BY:  
 APPROVED BY:

HDC有限公司