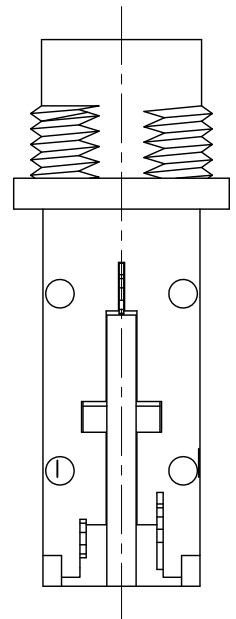
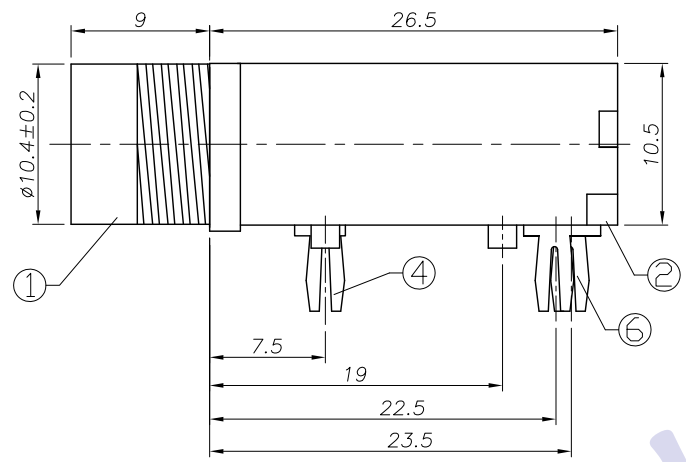
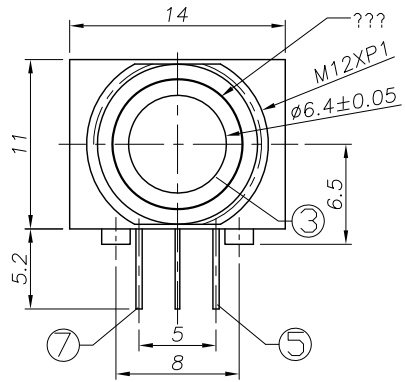


5	6	7
REV. LTR.	DESCRIPTION	SIGN
	Update drawing	HGN
		DATE
		2012.9.12



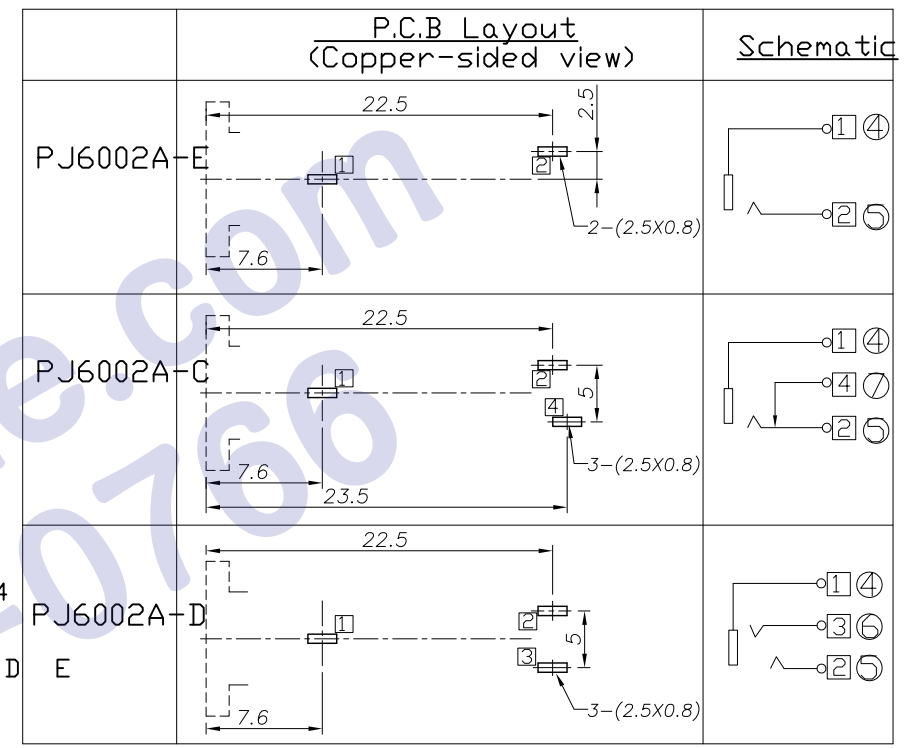
Ordering information:
 PJ6002A-? AB 0A T ?? 4
 ① ② ③ ④ ⑤ ⑥ ⑦

- ①: Series No
- ②: Schematic option: C
- ③: Material of housing:
 AB=ABS (Standard)
- ④: Housing color:
 0A=Black (Standard)
 3_=Orange
 4_=Yellow
 5_=Green
- ⑤: Terminal plating:
 P=Nickel (Standard)
 S=Silver (Ag)
 G=Gold (Au)
- ⑥: Special option

Special option	Cover color	Bushing plating
0N	Black	Nickel
0G	Black	Gold
2N	Red	Nickel
2G	Red	Gold

- ⑦: Packing mode
 4: Bag packing

- SPECIFICATION
- Rating ? DC 30V 1.0A?
 - Contact resistance? $\leq 30m\Omega$?
 - Insulation resistance?? $100M\Omega$ (DC250V)?
 - Withstand voltage? 500VAC ?
 - Insertion and extraction force? 5-35N;
 - life test? 5,000 cycles?



□: TERMINAL NO. ○: ITEM NO.
 2_=Red

NO.	DESCRIPTION	QTY	MATERIAL	PLATING
⑦	Shunt terminal	1	Brass	Sn-Plating
⑥	Ring spring	1	Phosphor bronze	Sn-Plating
⑤	Tip spring	1	Phosphor bronze	Sn-Plating
④	Earth spring	1	Phosphor bronze	Sn-Plating
③	Bushing (???)	1	Brass	Au/Ni-Plating
②	Cover	1	ABS	
①	Housing	1	ABS	Black

UNIT:MM	TYPE:	MODEL NO:	PAPER NO: A4	PAGE 1 OF 1
		06.3 PHONE JACK	±0.3	±2°
DESIGNER BY:	Zhuhong	2008.09.3	SCALE	FULL
CHECK BY:			VER	2
APPROVED BY:				

HDC有限公司