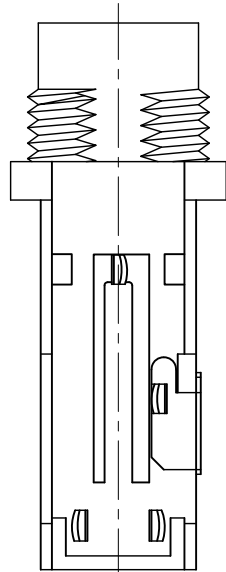
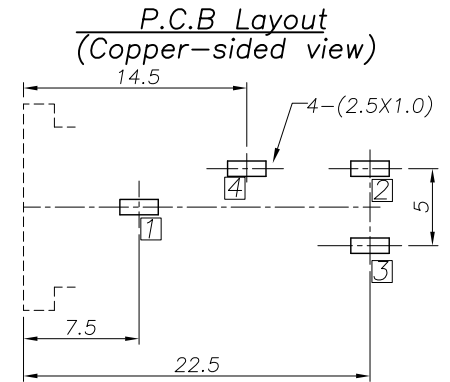
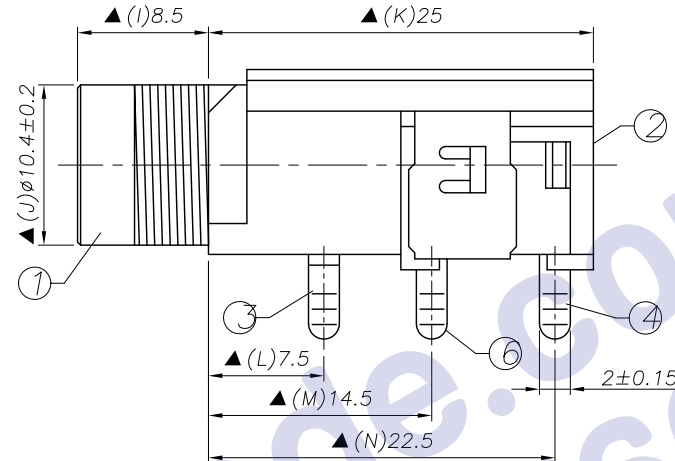
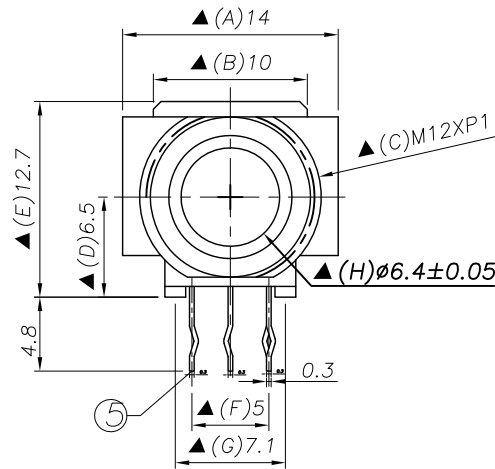


REV. LTR.	DESCRIPTION	SIGN	DATE
△ X3	Add material of PBT	Zhuhong	2008/11/29



Ordering information:  
 PJ60030-? ?? OA T ?? 4  
 (1) Series No  
 (2) Schematic option: B C D  
 (3) Material of housing:  
 AB=ABS  
 (Standard)  
 (4) Housing color:  
 0A=Black (Standard)  
 3\_=Orange  
 4\_=Yellow  
 5\_=Green  
 (5) Terminal plating  
 S=Silver(Ag)  
 (6) Special option  
 00=Black Cover  
 20=Red Cover  
 (7) Packing mode  
 4=Bag packing

Specification:  
 1. Rating ?DC 30V 1.0A?  
 2. Contact resistance? ≤30mΩ  
 After test: ≤50mΩ  
 3. Insulation resistance??100MΩ (500VDC)?  
 After test: ?50MΩ  
 4. Withstand voltage?500VAC ?  
 5. Insertion and extraction force? ≤5N?  
 6. life test?5000cycles min?  
 7. Operation temperature range? ±20  
 8. Preservative temperature range? ±40  
 9. Sign"? "is importance dimension?

Model NO.	PJ60030-B (PJ60030)	PJ60030-C (PJ60030-3)	PJ60030-D (PJ60030-2)	PJ60030-E
Schematic				

□: TERMINAL NO.

⑥	Shunt terminal	④	1	Brass	Tin plating
⑤	Ring spring	③	1	Phosphor bronze	Tin plating
④	Tip spring	②	1	Phosphor bronze	Tin plating
③	Earth spring	①	1	Phosphor bronze	Tin plating
②	Cover		1	ABS/PBT △	
①	Housing		1	ABS/PBT △	Black
NO	DESCRIPTION		QTY	MATERIAL	PLATING

UNIT:MM	TYPE:	MODEL NO:	PAPER NO: A4	PAGE 1 OF 1
	∅6.3 PHONE JACK	PJ60030-__ _ _ OA	TOLERANCE	ANGLES
			±0.3	±2°
			SCALE	VER
			FULL	3

DESIGNER BY: zhuhong 2010.05.06  
 CHECK BY:  
 APPROVED BY:

HDC有限公司