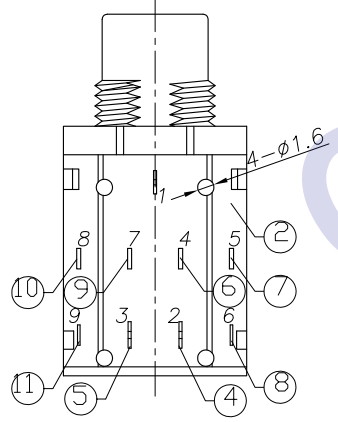
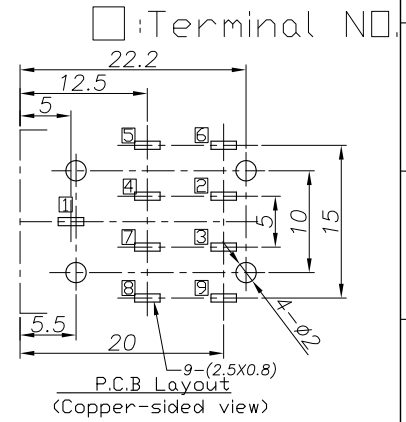
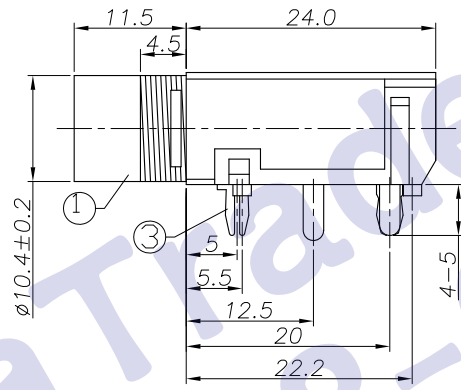
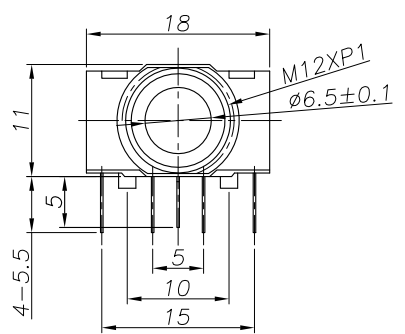
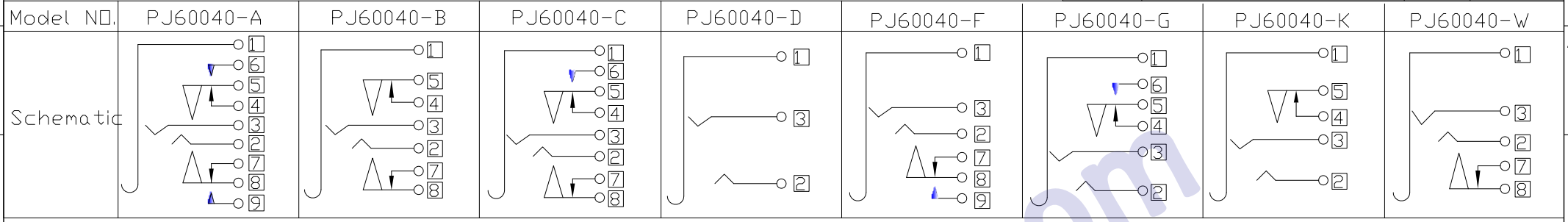


REV. LTR.	DESCRIPTION	SIGN	DATE



Ordering information:
PJ60040-? ?? 0A T 00 4

- (1):Series No
- (2):Schematic option: A B C D F G
- (3):Material of housing:
PB=PBT
AB=ABS(Standard)
- (4):Housing color:
0A=Black (Standard)
3_=Orange
4_=Yellow
5_=Green
- (5):Terminal plating
9=Nickel
7=Black(Standard)
S=Silver(Ag)
G=Gold(Au)
- (6):Special option
00:Special option
- (7):Packing mode
4.Bag packing

2_=Red

⑩	Make terminal-2	9	1	Phosphor bronze	Tin plating
⑩	Transfer spring-2	8	1	Phosphor bronze	Tin plating
⑨	Break terminal-2	7	1	Brass	Tin plating
⑧	Make terminal-1	6	1	Phosphor bronze	Tin plating
⑦	Transfer spring-1	5	1	Phosphor bronze	Tin plating
⑥	Break terminal-1	4	1	Brass	Tin plating
⑤	Ring spring	3	1	Phosphor bronze	Tin plating
④	Tip spring	2	1	Phosphor bronze	Tin plating
③	Earth spring	1	1	Phosphor bronze	Tin plating
②	Cover		1	PC	Black
①	Housing		1	ABS/PBT	Black

SPECIFICATION
 1.Rating ? DC 30V 1.0A?
 2.Contact resistance? ≤30mΩ?
 3.Insulation resistance?? 100MΩ (DC250V)?
 4.Withstand voltage? 500VAC ?
 5.Insertion and extraction force? 5-35N;
 6.life test? 5,000 cycles?

UNIT:MM	TYPE:	MODEL NO:	PAPER NO: A4	PAGE 1 OF 1
	φ6.3 PHONE JACK	PJ60040-__ _0AT004	TOLERANCE	ANGLES
			±0.3	±2°
			SCALE	VER
			FULL	2

DESIGNER BY: Zhuhong 2009.10.16
 CHECK BY:
 APPROVED BY:

HDC有限公司