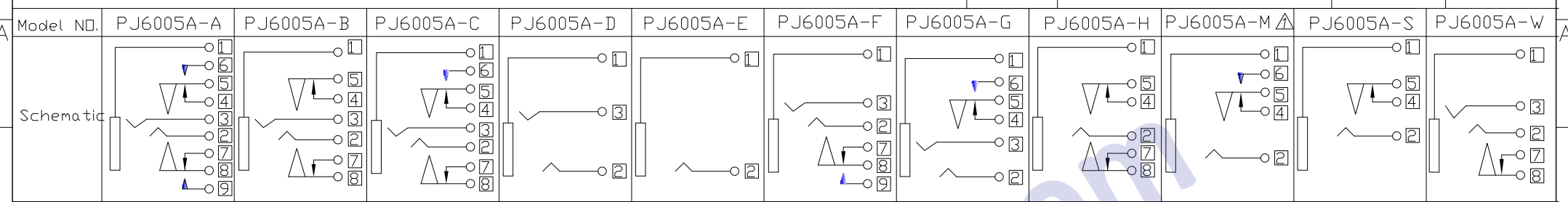
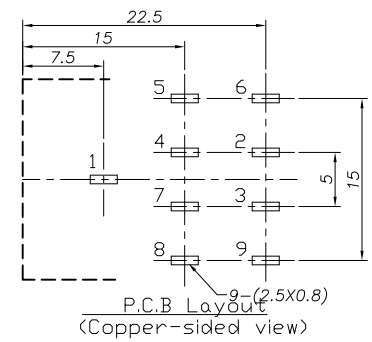
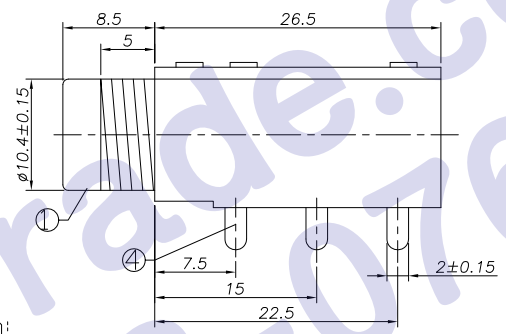
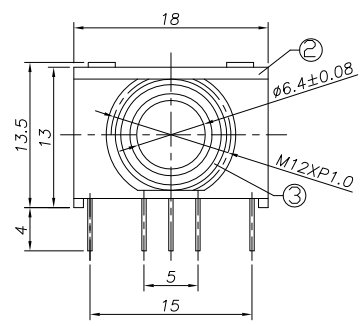


| | | | |
|-----------|-----------------|---------|-----------|
| REV. LTR. | DESCRIPTION | SIGN | DATE |
| △ X1 | Add schematic M | Zhuhong | 2009/6/25 |



□ :Terminal NO.



Ordering information:
 PJ6005A - ? ?? 0A T ?? 4
 ? ? ? ? ?
 ? :Series No.
 ? :Schematic option: A B C D E F G H M S W
 ? :Material of housing:
 PB:PBT (Standard)
 AB:ABS
 ? :Bushing or Housing color:
 0A:Black (□ Only)
 ? :Terminal plating
 T: Tin(Sn)(Standard) S: Silver(Ag)
 ? :Special option
 ON: Bushing is nickel plating
 OG: Bushing is gold plating
 ? :Packing mode:
 A: Bag packing

| | | | | | |
|---|-------------------|---|---|-----------------|---------------|
| ⑫ | Make terminal-2 | 9 | 1 | Phosphor bronze | Sn-Plating |
| ⑪ | Transfer spring-2 | 8 | 1 | Phosphor bronze | Sn-Plating |
| ⑩ | Break terminal-2 | 7 | 1 | Brass | Sn-Plating |
| ⑨ | Make terminal-1 | 5 | 1 | Phosphor bronze | Sn-Plating |
| ⑧ | Transfer spring-1 | 5 | 1 | Phosphor bronze | Sn-Plating |
| ⑦ | Break terminal-1 | 4 | 1 | Brass | Sn-Plating |
| ⑥ | Ring spring | 3 | 1 | Phosphor bronze | Sn-Plating |
| ⑤ | Tip spring | 2 | 1 | Phosphor bronze | Sn-Plating |
| ④ | Earth spring | 1 | 1 | Phosphor bronze | Sn-Plating |
| ③ | Bushing | | 1 | Copper alloy | Ni/Au-Plating |
| ② | Cover | | 1 | PC | |
| ① | Housing | | 1 | PBT/ABS | |

| | | | | |
|---------|-----------------|----------------|--------------|-------------|
| NO. | DESCRIPTION | QTY | MATERIAL | PLATING |
| UNIT:MM | TYPE: | MODEL NO: | PAPER NO: A4 | PAGE 1 OF 1 |
| | ∅6.3 PHONE JACK | PJ6005A-_-_-0A | TOLERANCE | ANGLES |
| | | | ±0.3 | ±2° |
| | | | SCALE | VER |
| | | | FULL | 3 |

DESIGNER BY: Zhuhong 2009.6.25
 CHECK BY:
 APPROVED BY:

HDC有限公司

SPECIFICATION
 1.Rating ? DC 30V 1.0A?
 2.Contact resistance? ≤30mΩ?
 3.Insulation resistance?? 100MΩ (DC250V)?
 4.Withstand voltage? 500VAC ?
 5.Insertion and extraction force? 5-35N;
 6.life test? 5,000 cycles?