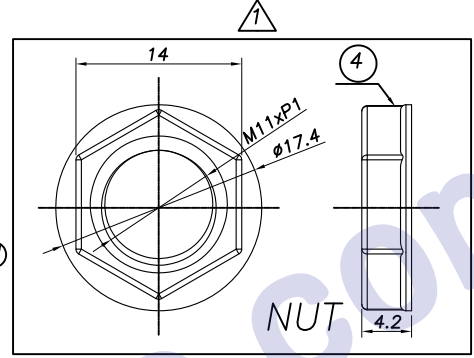
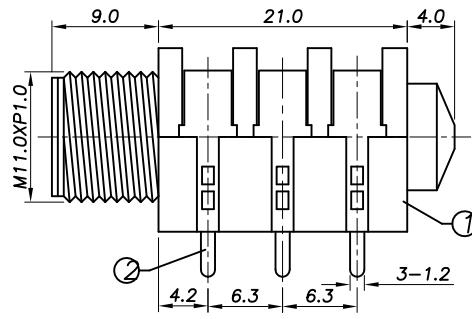
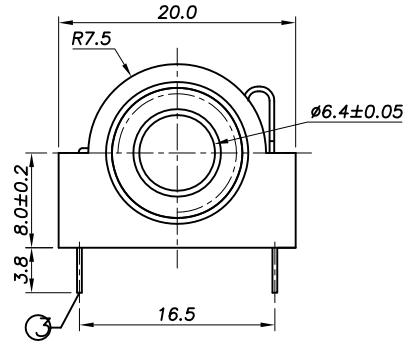


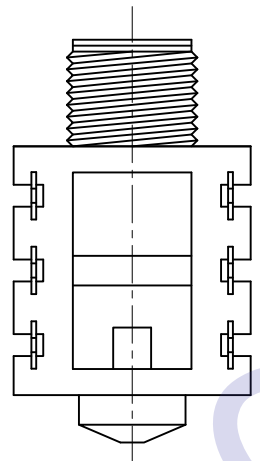
1	2	3	4	5	6	7
REV. LTR.	DESCRIPTION			SIGN	DATE	
▲	Add schematic "V"			2012.09.22	TAO L	



Ordering information:

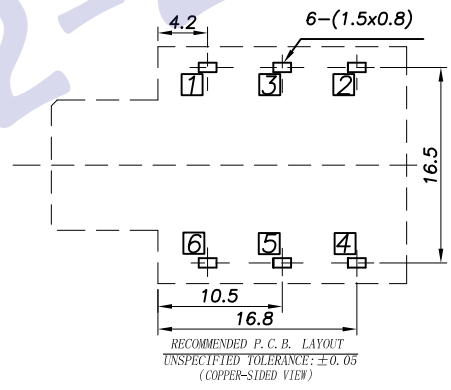
PJ60090-□ PB 0A T 00 □  
 ① ② ③ ④ ⑤ ⑥ ⑦

- ①: Series No
- ②: Schematic option (See above drawing):  
A B C D E H N
- ③: Material of housing:  
PB=PBT (Standard)  
P6=PA66  
AS=ABS
- ④: Housing color:  
0A=Black (Standard)  
2\_=Red  
3\_=Orange  
4\_=Yellow
- ⑤: Terminal plating  
6\_=Blue (Sn) (Standard)  
9=Silver (Ag)  
G=Gold (Au)
- ⑥: Special option  
00: No special option
- ⑦: Packing mode  
3: Plastic box packing  
4: Bag packing



Model NO.	PJ60090-A	PJ60090-B	PJ60090-C	PJ60090-D
Schematic				
Model NO.	PJ60090-E	PJ60090-H	PJ60090-N	
Schematic				

- Specification:
1. Rating ?DC 30V 1.0A?
  2. Contact resistance? ≤30mΩ?  
After life test: ≤50mΩ
  3. Insulation resistance? ?100MΩ (500VDC)?  
After life test: ?50MΩ
  4. Withstand voltage? 500VAC ?
  5. Insertion and extraction force? 5N?
  6. Life test? 5000 cycles min?
  7. Operation temperature range? -20°?
  8. Preservative temperature range? -28°?
  9. Sign"? "is importance dimension



④	NUT	1	ABS/PBT	
③	Shunt terminal	3	Brass	Sn-Plating
②	Ring Spring	3	Bronze	Sn-Plating
①	Housing	1	PBT	Black
NO	DESCRIPTION	QTY	MATERIAL	PLATING
UNIT:MM		TYPE:	MODEL NO:	PAPER NO: A4
		06.3 PHONE JACK	PJ60090-_PB0AT00	PAGE 1 OF 1
				TOLERANCE
				ANGLES
				SCALE
				VER
				±0.3
				±2°
				FULL
				2

DESIGNER BY:	TAO L	2012.09.22
CHECK BY:	Matt	2012.09.22
APPROVED BY:	GUO JI	2012.09.22

HDC有限公司