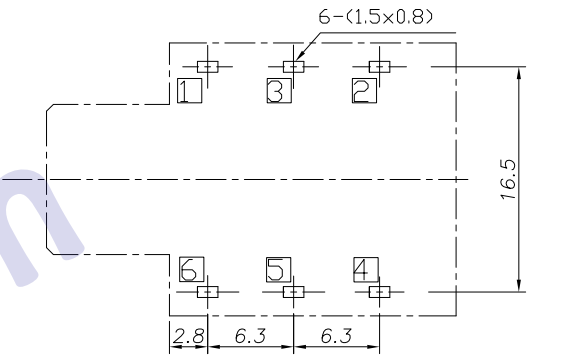


REV. LTR.	DESCRIPTION	SGN	DATE

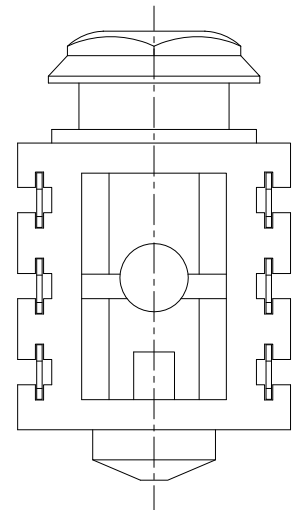


P.C.B. Layout  
(Copper-sided view)

Ordering information:  
 PJ6010C - ? ?? 0A ? ?? 4  
 ? ? ? ? ? ?

- ? :Series No.
- ? :Schematic option: A B C D E
- H N
- ? :Material of housing:  
 AB:ABS (Standard)  
 PB:PBT
- ? :Housing color:  
 0A:Black (Only)
- ? :Terminal plating  
 T: Tin(Sn)  
 S: Silver(Ag) (Standard)
- ? :Special option  
 0N: Bushing is nickel plating  
 0G: Bushing is gold plating

Model NO.	PJ6010C-A	PJ6010C-B	PJ6010C-C	PJ6010C-D
Schematic				
Model NO.	PJ6010C-E	PJ6010C-H	PJ6010C-N	
Schematic				



SPECIFICATION

1. Rating ? DC 30V 1A?
2. Contact resistance?  $\leq 30m\Omega$ ?
3. Insulation resistance??  $100M\Omega$  (DC250V)?
4. Withstand voltage? 500VAC ?
5. Insertion and extraction force? 5-35N;
6. life test? 5,000 cycles?

⑥	Shunt terminal	④⑤⑥	3	Brass	Ag/Sn plating		
⑤	Ring Spring	①②③	3	Phosphor bronze	Ag/Sn plating		
④	Washer-2		1	Paper			
③	Washer-1		1	ABS/PBT			
②	Bushing		1	Copper alloy	Ni/Au-Plating		
①	Housing		1	ABS/PBT			
NO. DESCRIPTION		QTY		MATERIAL		PLATING	
UNIT:MM	TYPE:	MODEL NO:		PAPER NO: A4		PAGE 1 OF 1	
	ø6.3 PHONE JACK	PJ6010C- _ _ _0AT		TOLENANCE	ANGLES	SCALE	VER
				±0.3	±2°	FULL	2

DESIGNER BY: Zhuhong 2008.12.04  
 CHECK BY:  
 APPROVED BY:

HDC有限公司