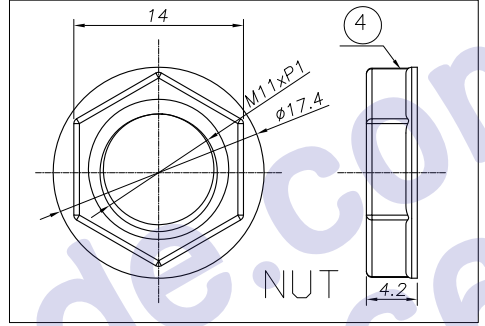
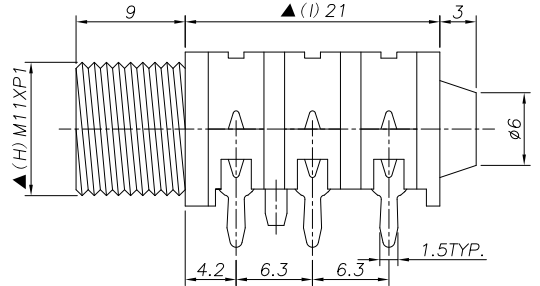
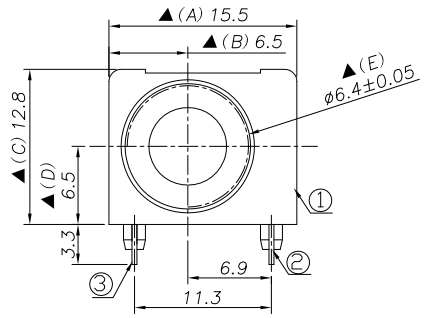


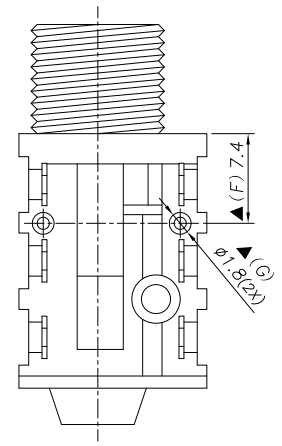
REV.	LTR.	DESCRIPTION	SIGN	DATE
	▲	Add schematic "V"	2012.09.18	Matt



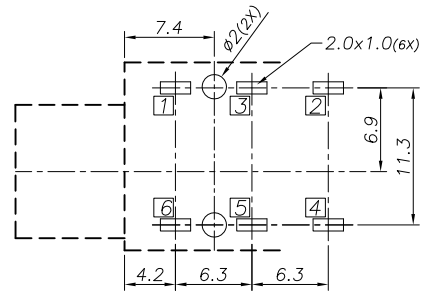
Ordering information:

PJ60110-□ □ □ 0A □ 00 4
 (1) (2) (3) (4) (5) (6) (7)

- (1):Series No
- (2):Schematic option: H A B C D N
- (3):Material of housing:
 AB=ABS PB=PBT
- (4):Housing color:0A=Black (Only)
- (5):Terminal plating:
 T=Tin (Sn) (Standard)
 S=Silver (Ag)
- (6):Special option
 00=No Special option
- (7):Packing mode
 4=Bag packing



Model NO.	PJ60110-H	PJ60110-A	PJ60110-B
Schematic	PJ60110-C	PJ60110-D	PJ60110-N
			PJ60110-V ▲



RECOMMENDED P. C. B. LAYOUT
 UNSPECIFIED TOLERANCE: ±0.05
 (COPPER-SIDED VIEW)

Specification:

- 1.Rating ?DC 30V 1A?
- 2.Contact resistance?≤30m??
 After test:≤50m?
- 3.Insulation resistance??100M? <500VDC)?
 After test:?50M?
- 4.Withstand voltage?500VAC ?
- 5.Insertion and extraction force?5N??5N
- 6.life test?5000cycles min?
- 7.Operation temperature range?0-20
- 8.Preservative temperature range?-40
- 9.Sign"? "is importance dimension

④	NUT	1	ABS/PBT	
③	Shunt terminal	4 5 6	Brass	Silver Plating
②	spring	1 2 3	Phosphor bronze	Tin Plating
①	Housing	1	ABS/PBT	
NO.	DESCRIPTION	QTY	MATERIAL	PLATING
UNIT:MM	TYPE:	MODEL NO:	PAPER NO: A4	PAGE 1 OF 1
	∅6.35 PHONE JACK	PJ60110- _ _ _ 0A_004	TOLERANCE	ANGLES
			±0.3	±2°
DESIGNER BY:	Matt 2012.09.18		SCALE	VER
CHECK BY:			FULL	4
APPROVED BY:				

HDC有限公司