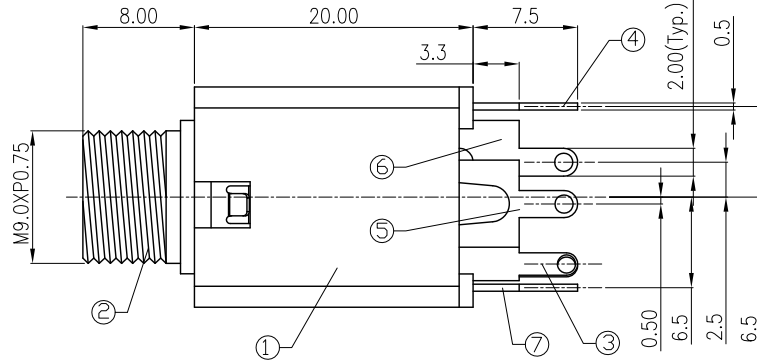
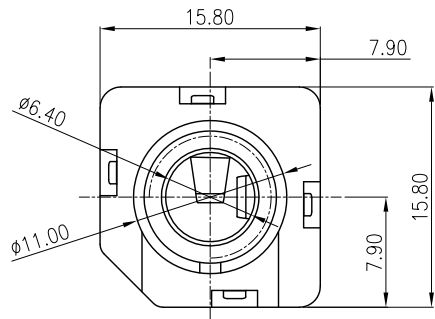
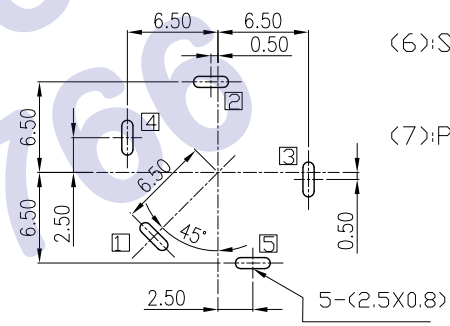
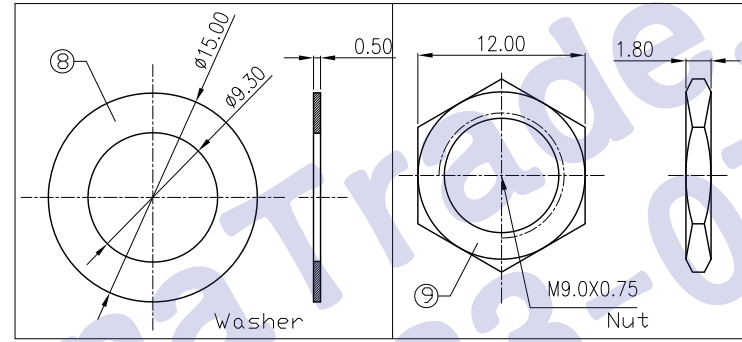
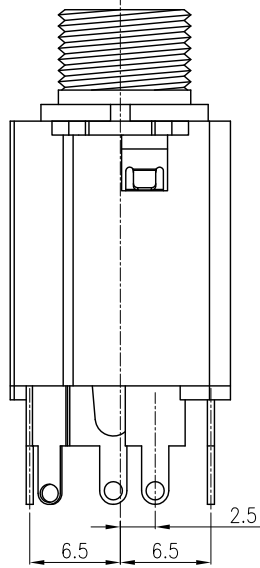


REV	QTY	ECN. NO.	REASON&CONTENT	SSGN	DATE
			Update drawing	Lucy	2012/01/06



Ordering information:
 PJ60120-? AB0AS 0N 4
 (1) (2)(3)(4)(5)(6)(7)
 (1):Series No.
 (2):Schematic option:
 A,B,C,D,E,F
 (3):Material of housing:
 AB=ABS
 (4):Housing color:
 Zero 0A=Black
 (5):Terminal plating:
 S=Silver(Ag)
 (6):Special option:
 0N=Bushing and Nut
 plating Nickel(Ni)
 (7):Packing mode:
 4=Bag packing



RECOMMENDED P.C.B. LAYOUT
 UNSPECIFIED TOLERANCE:±0.05
 (TOP VIEW)

Model No	PJ60120-A	PJ60120-B	PJ60120-C	PJ60120-D	PJ60120-E	PJ60120-F
Schematic						

Circuit Diagram □ :Terminal No.

NO.	DESCRIPTION	QTY	MATERIAL	REMARK
⑨	Nut	1	Copper alloy	Nickel plating
⑧	Washer	1	Stainless steel	Nickel plating
⑦	Shunt terminal	2	Copper alloy	Silver plating
⑥	Shunt terminal	1	Copper alloy	Silver plating
⑤	Ring spring	3	Copper alloy	Silver plating
④	Tip spring	2	Copper alloy	Silver plating
③	Earth spring	1	Copper alloy	Silver plating
②	Bushing	1	Copper alloy	Nickel plating
①	Housing	1	Thermoplastic	Black

- Specification:
- Rating ?DC 30V 1A?
 - Contact resistance?≤30m??
After test:≤50m?
 - Insulation resistance??100M?(500VDC)?
After test:?50M?
 - Withstand voltage?500VAC ?
 - Insertion and extraction force?5N?35N?
 - life test?5000cycles min?
 - Operation temperature range: -20??70??
 - Preservation temperature range: -40??85??

THIS DOCUMENT IS THE SOLE PROPERTY OF Bsun ELECTRONICS CO., LTD AND SHOULD NOT BE USED IN WHOLE OR IN PART WITHOUT PRIOR WRITTEN PERMISSION.	UNIT:MM	TOLERANCE	TYPE:	MODEL NO:	DRAWING TYPE:
		DIMENSIONS ANGLES	∅6.3PHONE JACK	PJ60120-AB0AS0N4	CUSTOMER DRAWING
		.X ±0.50 X ±5 .XX ±0.30 X ±3 .XXX ±0.15 .XX ±2		DRAWING No: BSCR-0000-0081	SCALE:VER.: N/A 01
	CHECK BY:	APPROVED BY:	HDC有限公司		