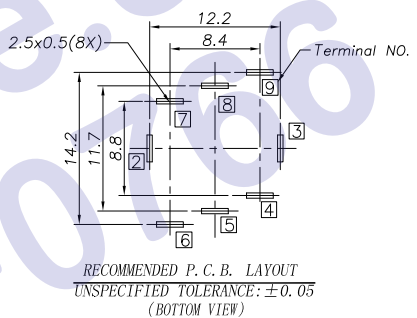
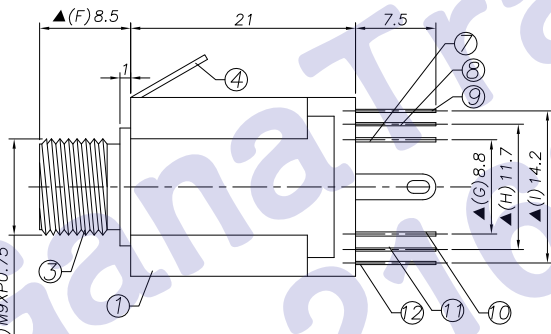
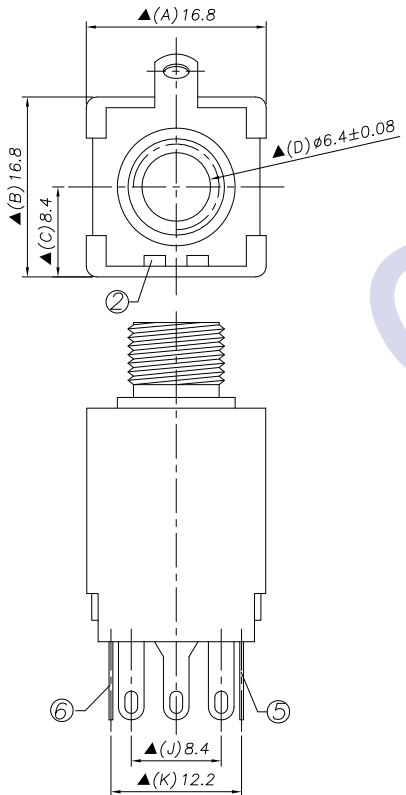


□ : Terminal NO.



Specification:
 1. Rating ?DC 30V 1A.
 2. Contact resistance? $\leq 30m\Omega$.
 After test: $\leq 50m\Omega$.
 3. Insulation resistance?? $100M\Omega$ (DC500V).
 After test: ? $50M\Omega$.
 4. Withstanding voltage? 500VAC.
 5. Insertion and extraction force? 5N.
 6. life test? 5000cycles min.
 7. Operation temperature range? $-20^{\circ}C$.
 8. Preservative temperature range? $-40^{\circ}C$.
 9. Sign"?" is importance dimension.

REV. LTR.	DESCRIPTION	SIGN	DATE
	Update drawing	Zhangxiuke	2011.06.13

Ordering information:
 PJ60130 ? ?? 0A T?? 4
 ? ? ? ? ? ?
 ? : Series No.
 ? : Schematic option:
 A B C D E F G H J K S W
 ? : Material of housing:
 PB=PBT (Standard), AB=ABS
 ? : Bushing or Housing color:
 0A=Black (Only)
 ? : Terminal plating
 T=Tin(Sn)(Standard)
 ? : Special option
 0N=Bushing is nickel plating
 0G=Bushing is gold plating
 ? : Packing mode:
 4=Bag packing

⑫	Make terminal-2	9	1	Phosphor bronze	Tin plating
⑪	Transfer spring-2	8	1	Phosphor bronze	Tin plating
⑩	Break terminal-2	7	1	Brass	Tin plating
⑨	Make terminal-1	6	1	Phosphor bronze	Tin plating
⑧	Transfer spring-1	5	1	Phosphor bronze	Tin plating
⑦	Break terminal-1	4	1	Brass	Tin plating
⑥	Ring spring	3	1	Phosphor bronze	Tin plating
⑤	Tip spring	2	1	Phosphor bronze	Tin plating
④	Earth spring	1	1	Iron	Tin plating
③	Bushing		1	Copper alloy	Nickel/Gold plating
②	Insulation		1	Bakelite	
①	Housing		1	PBT/ABS	
NO.	DESCRIPTION	QTY	MATERIAL	PLATING	

UNIT:MM	TYPE:	MODEL NO:	PAPER NO: A4	PAGE 1 OF 1	
	$\phi 6.3$ PHONE JACK	PJ60130-__-0A	TOLERANCE: ± 0.3	ANGLES: $\pm 2'$	SCALE: FULL
DESIGNER BY:	Zhangxiuke	2011.6.13	VER: 3		
CHECK BY:					
APPROVED BY:					

HDC有限公司