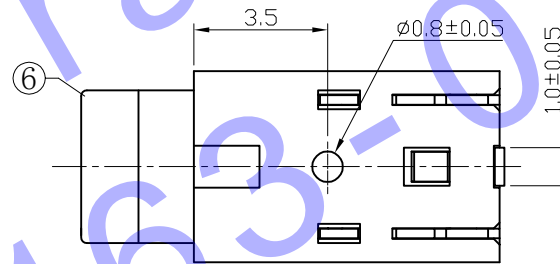
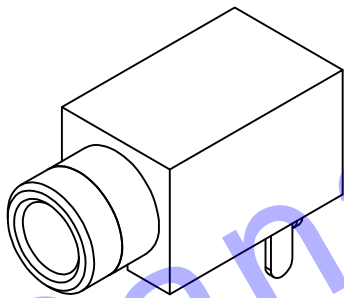
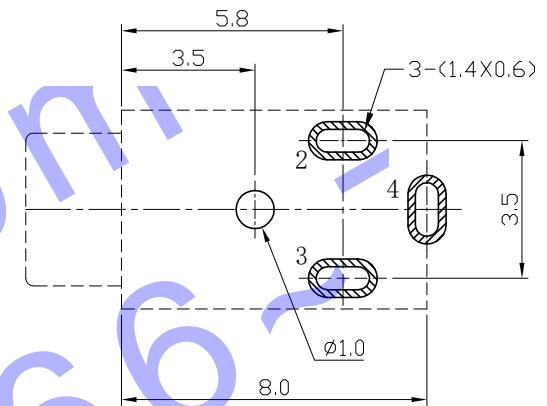
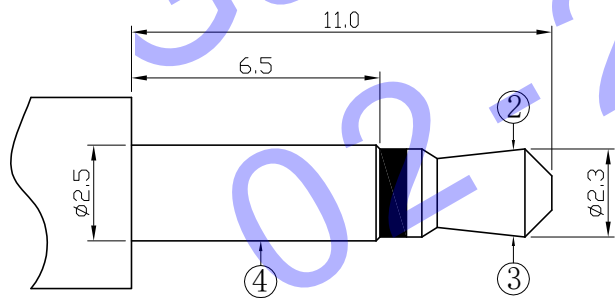


P. C. B LAYOUT
TOP VIEW

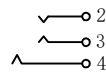


SPECIFICATION

1. Rating : DC 30V 0.5A;
2. Contact resistance: $\leq 0.03 \Omega$;
3. Insulation resistance: $\geq 100M \Omega$ (DC250V);
4. Withstand voltage: 500VAC ;
5. Insertion and extraction force: 3-20N;
6. life test: 5,000 cycles.



SCHEMATIC



Ø2.50mm 2 POLE PLUG

6	AXIS SUPPORT	1	H59 BRASS	Ni-Plating
5	HOUSING	1	PA9T	
4	4# CONTACT FOOT	1	BRONZE	Sn-Plating
3	3# CONTACT FOOT	1	BRONZE	Sn-Plating
2	2# CONTACT FOOT	1	BRONZE	Sn-Plating
1				
NO.	DESCRIPTION	QTY	MATERIAL	PLATING
UNIT:MM		MODEL NO:		PAPER NO: A4
PHONE JACK		; P>J-D2010BA-		PAGE 1 OF 1
DESIGNER BY:		TOLERANCE		VER
CHECK BY:		±0.15		5:1
APPROVED BY:		ANGLES		1
		SCALE		
		5:1		

H D C 有限公司