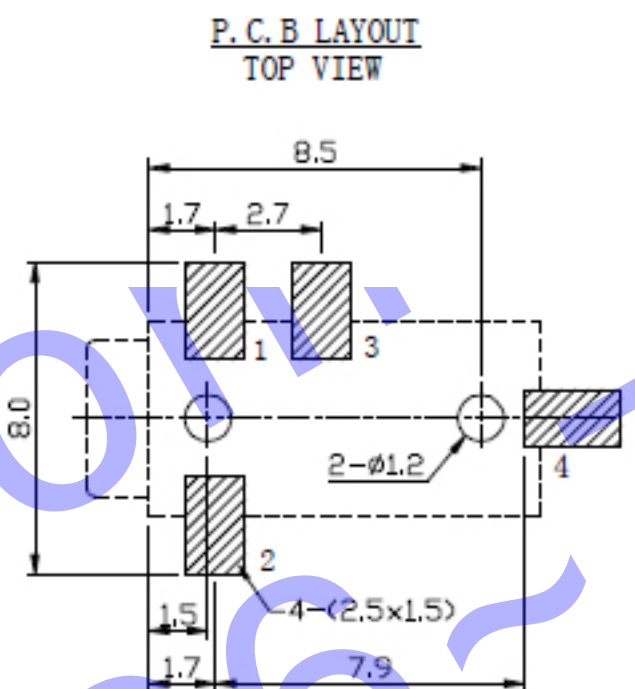
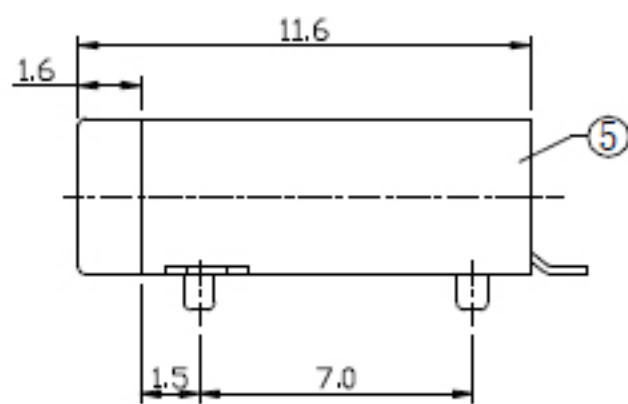
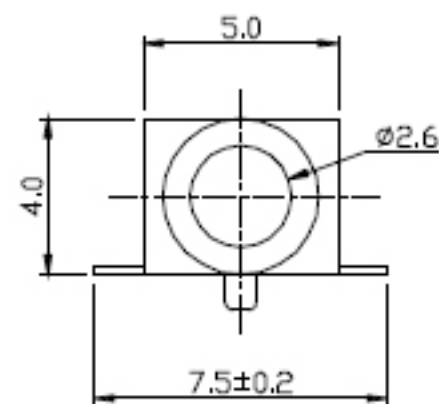
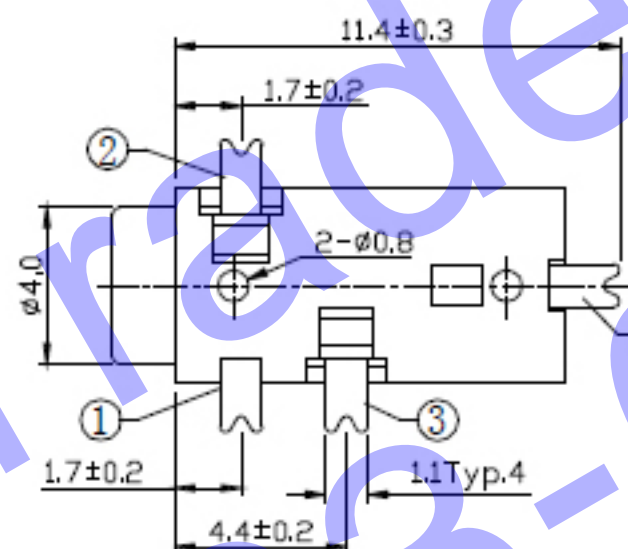
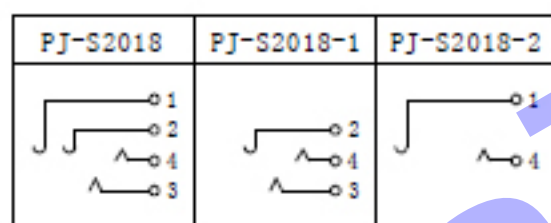


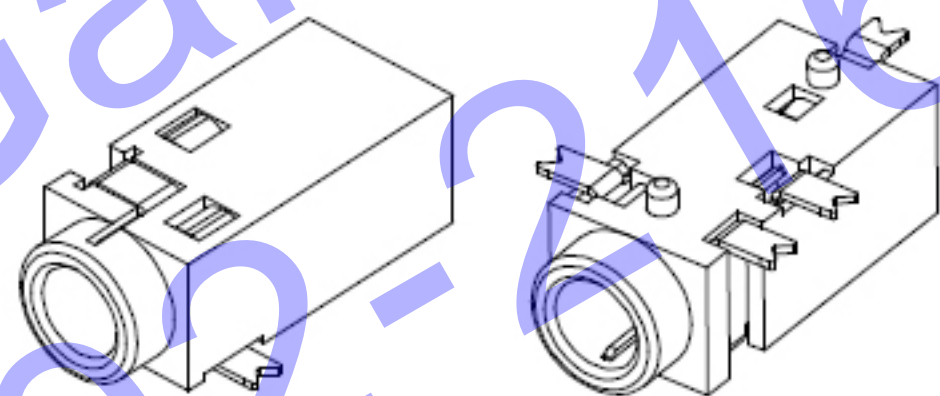
RoHS Complied



SCHMATIC



TOLERANCE:
 0.0--<10.0mm ±0.10mm
 10.0--<20.0mm ±0.15mm
 20.0--<50.0mm ±0.20mm



NO.	PART NAME	TER'NO.	QTY.	MATERIAL	REMARK
⑤	HOUSING		1	PA9T	
④	4# CONTACT FOOT		1	BRONZE	Ag-Plating
③	3# CONTACT FOOT		1	BRONZE	Ag-Plating
②	2# CONTACT FOOT		1	BRONZE	Ag-Plating
①	1# CONTACT FOOT		1	BRONZE	Ag-Plating

MARK	DESCRIPTION	DATE	REVISED	APPROVED	UNSPECIFIED TOLERANCE
△ X					±2°
△ X					±0.2
△ X					±0.1
					±0.05

DSND	DATE	SCALE: 4:1	MODEL TYPE:
CHKD	DATE	VIEW:	PHONE JACK
APVD	DATE	UNIT: mm	PART NO. PJ-S2018
HDC 有限公司			DWN.NO. REVISION A/0