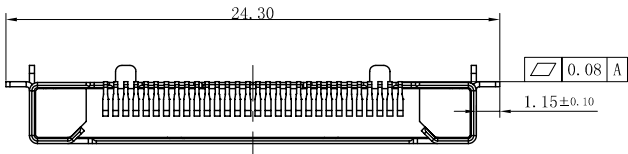
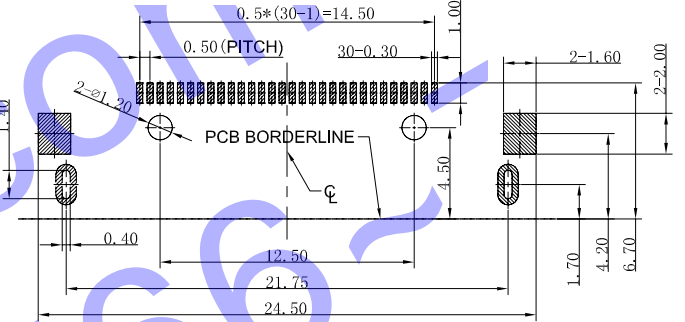
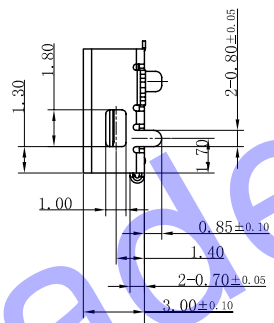
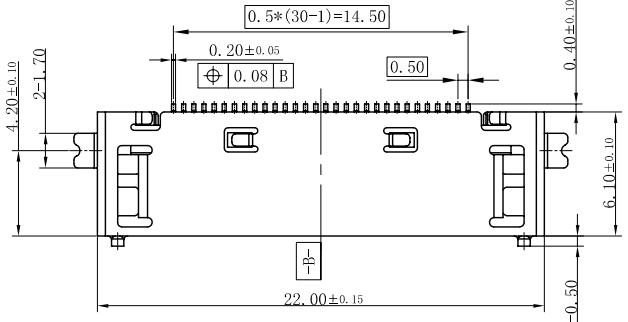


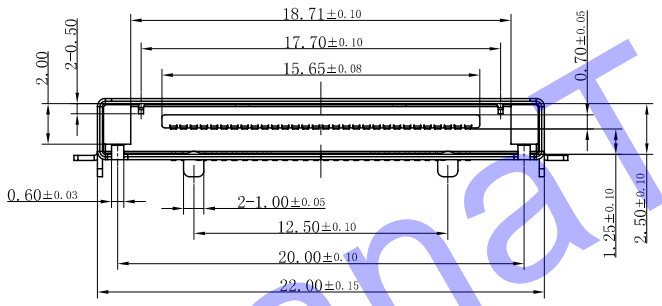
A



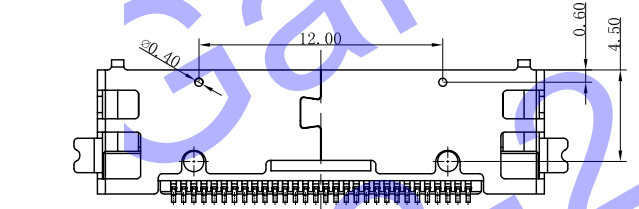
B



C



E



F

table:

N.O	Shell Material	Shell Finish	Terminal Finish
1	COPPER ALLOY	Ni	1.5u"Au over All
2	STAINLESS STEEL	Tin	1.5u"Au over All

3	Shell	Copper Alloy		Ni:50-100u", Tin:120U"
2	Terminal	Copper Alloy		Ni:50-100u", 1.5u"Au over all
1	Housing	High Temperature Thermoplastic	BLACK	UL94-V0
NO	DESCRIPTION	MATERIAL	COLOR	REMARK

H

REV	DATE	CHANGE	APPROVE	OPERATION	DRAW	SCALE	1:1
A0	08/06/16			~ 10 ± 0.15	DESIGN	UNIT	mm
				10 ~ 30 ± 0.30	CHECK	SIZE	A4
				30 ~ ± 0.40	APPROVE	SHEET	1/1
				Angle ± 2°		PROJ.	DRAWING NO.
				DIM TOL			