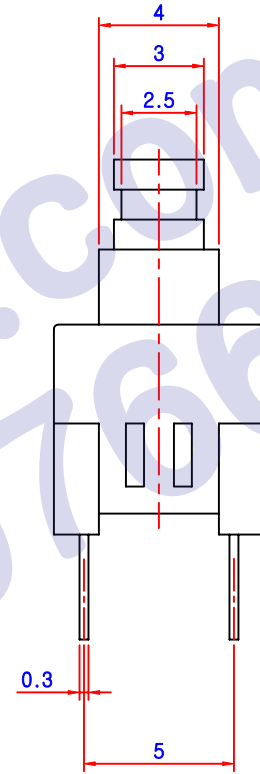
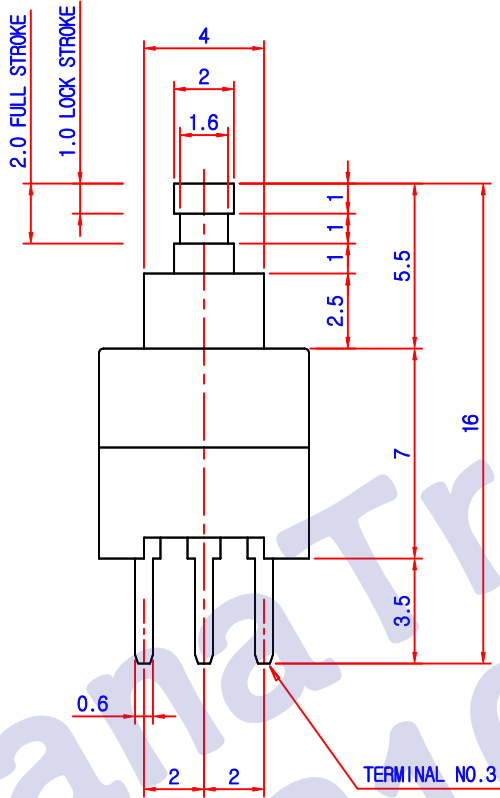
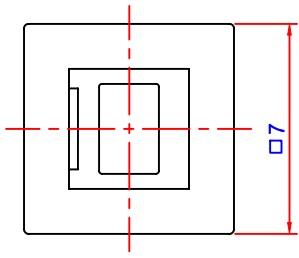
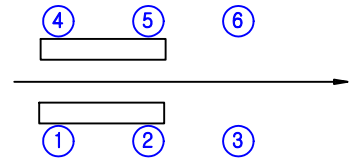
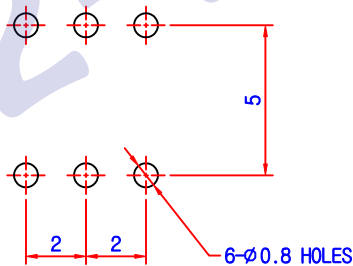


NO	M.O.D.E.L	L.(mm)
1		
2		
3		

CIRCUIT DIAGRAM



P.C.B DIAGRAM



\* NOTES

1. RATING : DC 30V, 0.1A
2. CIRCUIT : 2C - 2P
3. TIMING : SHORTING or NON - SHORTING
4. OPERATING MODE : Self - Lock  
Non - Lock
5. STRIKE : Full 1.8mm  
Lock 1.0mm
6. OPERATING FORCE : 200 ± 80gf

DWG . BY    DES ' N BY    CH ' D BY    APP ' O BY

**MODEL NO :**                    SP - 2212

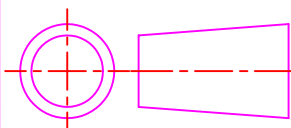
Kim jong pil

**TITLE :**                    PUSH S/W ASS'Y

SCALE :    3 : 1

FILE NO :

DATE : 2003 ,



DWG NO ;