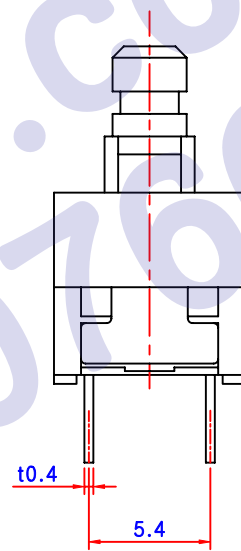
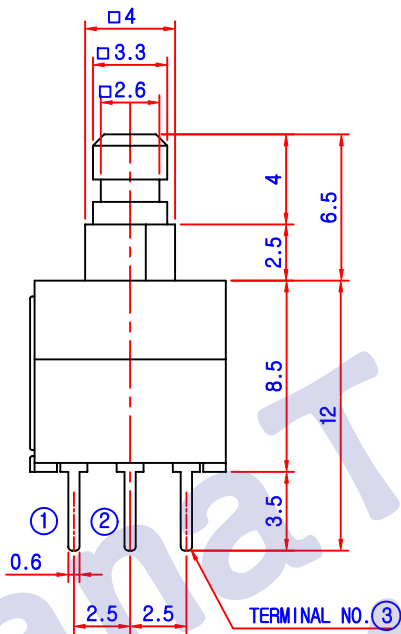
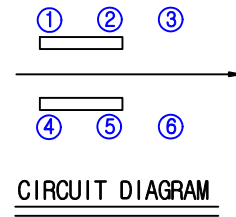
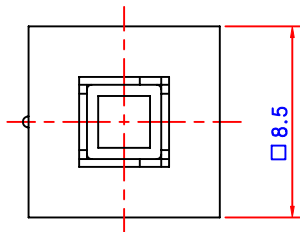
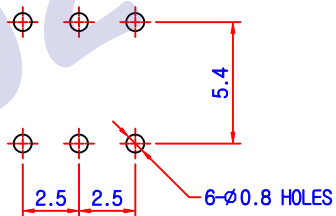


NO	MODEL	OPERATING MODE
①	SP - 2213A	SELF LOCK
②	SP - 2213AN	NON LOCK



P.C.B DIAGRAM



* NOTES

1. RATING : 30V DC , 0.1A
2. CIRCUIT : 2C - 2P
3. TIMING : NON SHORTING
4. OPERATING MODE : Self - Lock
Non - Lock
5. STROKE : Full 2.5mm
Lock 1.5mm
6. OPERATING FORCE : 200 ± 80gf

DWG . BY	DES 'N BY	CH 'D BY	APP 'O BY
Kim jong pil			
SCALE : 3 : 1			
FILE NO :			
DATE : 2003 ,			

MODEL NO :	SP - 2213A
TITLE :	PUSH S/W ASS'Y
DWG NO :	