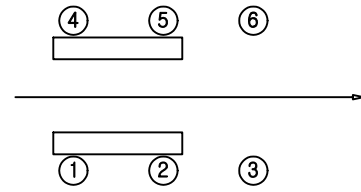
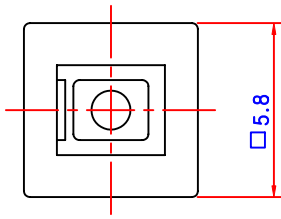
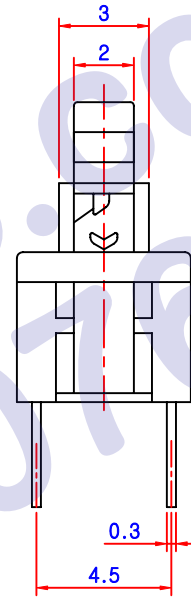
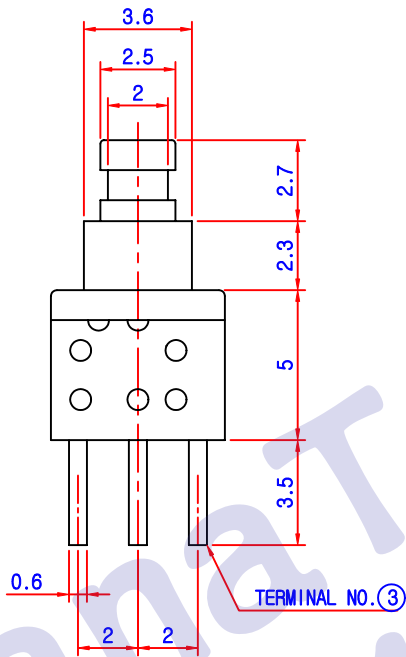


NO	MODEL	L(mm)
1		
2		
3		



CIRCUIT DIAGRAM



P.C.B DIAGRAM



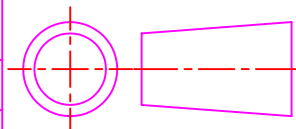
\* NOTES

1. RATING : DC 30V , 0.1A
2. CIRCUIT : 2C - 2P
3. TIMING : NON SHORTONG
4. OPERATING MODE : SELF-LOCK, NON-LOCK
5. STROKE : FULL 1.9mm, LOCK 1.0mm
6. OPERATING FORCE : 200 ± 80gf
7. LIFE : 50,000 CYCLES MIN

DRAWN	DESIGNED	CHECKED	APPROVED
Kim jong pil			

**MODEL NO :** SP - 2216  
**TITLE :** PUSH S/W ASS'Y

SCALE :  
 FILE NO :  
 DATE : 2003 ,



DWG NO ;