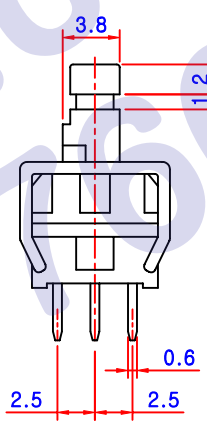
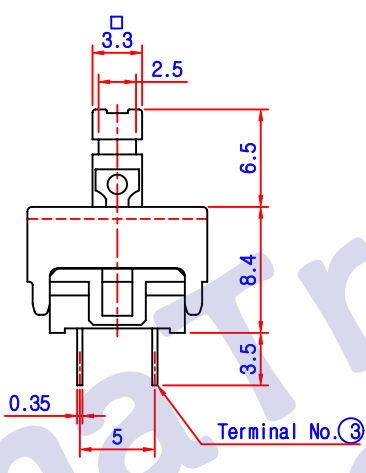
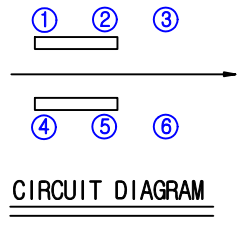
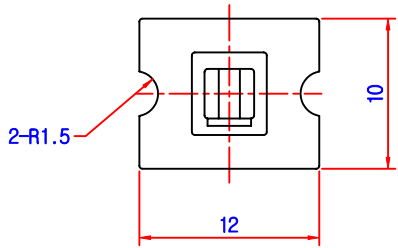
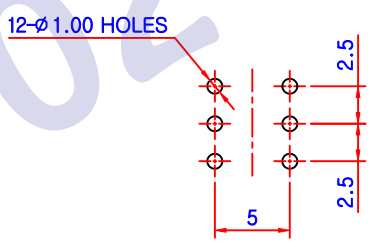


NO	MODEL	OPERATING MODE
1	SP - 2217A	SELF LOCK
2	SP - 2217AN	NON LOCK



P.C.B DIAGRAM



* NOTES

1. RATING : 30V DC , 0.1A
2. CIRCUIT : 2C - 2P
3. TIMING : NON SHORTING
4. OPERATING MODE : Self - Lock
Non - Lock
5. STROKE : Full 1.8mm
Lock 1.2mm
6. OPERATING FORCE : 200 ± 80gf

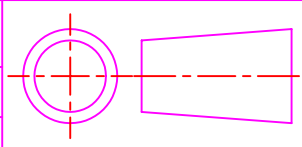
DRAWN	DESIGNED	CHECKED	APPROVED
Kim jong pil			

MODEL NO : SP - 2217A
TITLE : PUSH S/W ASS'Y

SCALE : 3 : 1

FILE NO :

DATE : 2003 ,



DWG NO ;