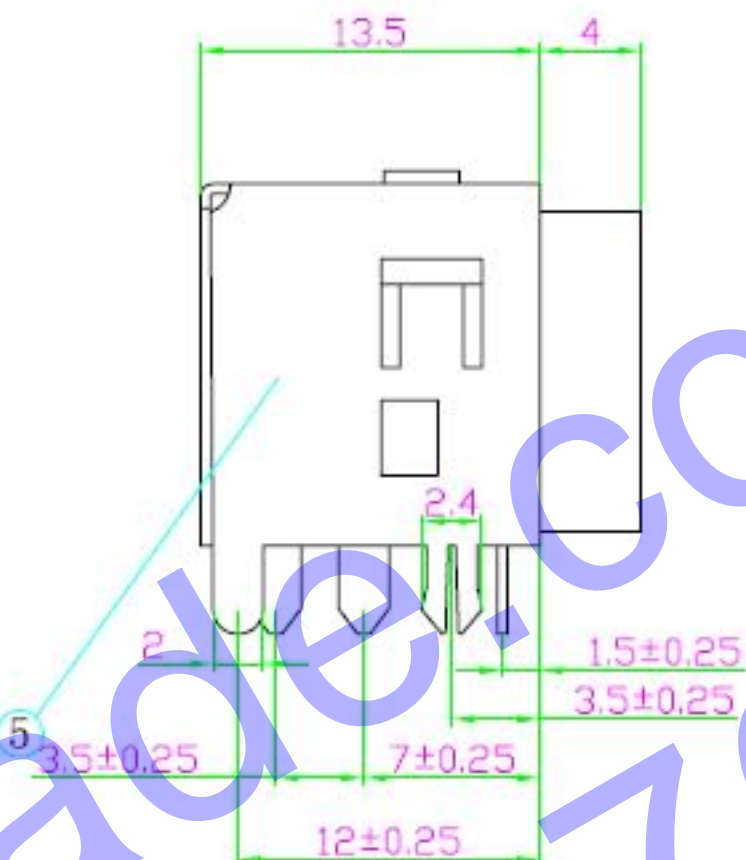
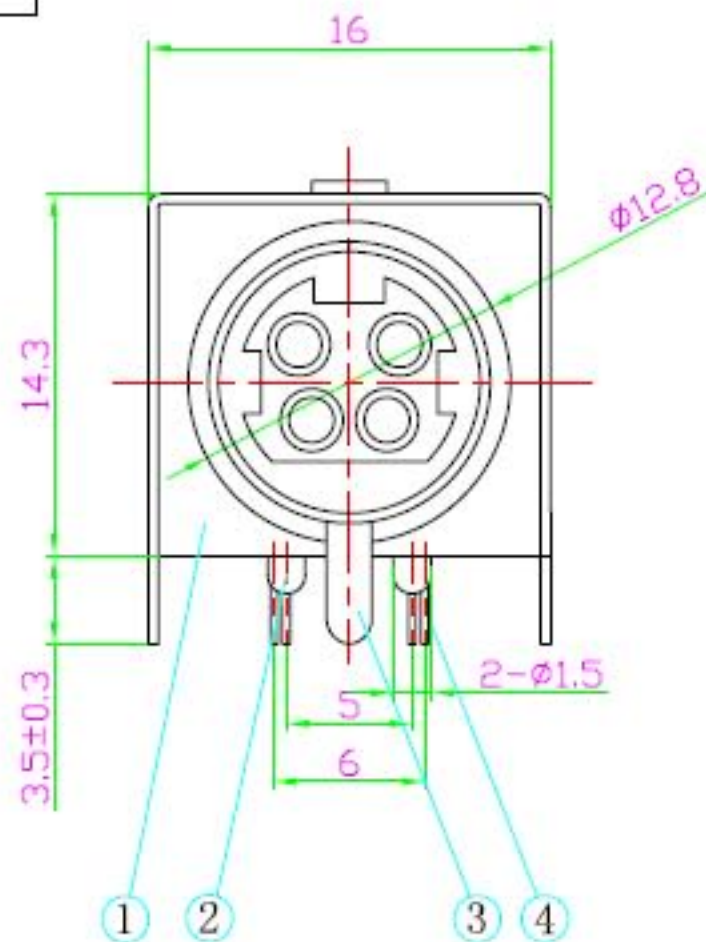
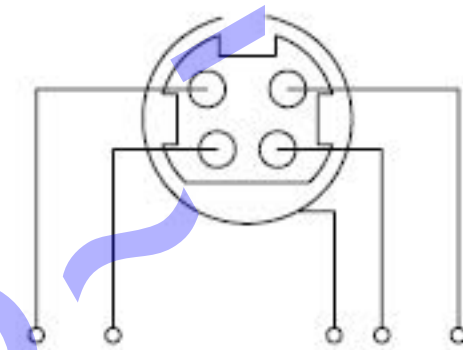


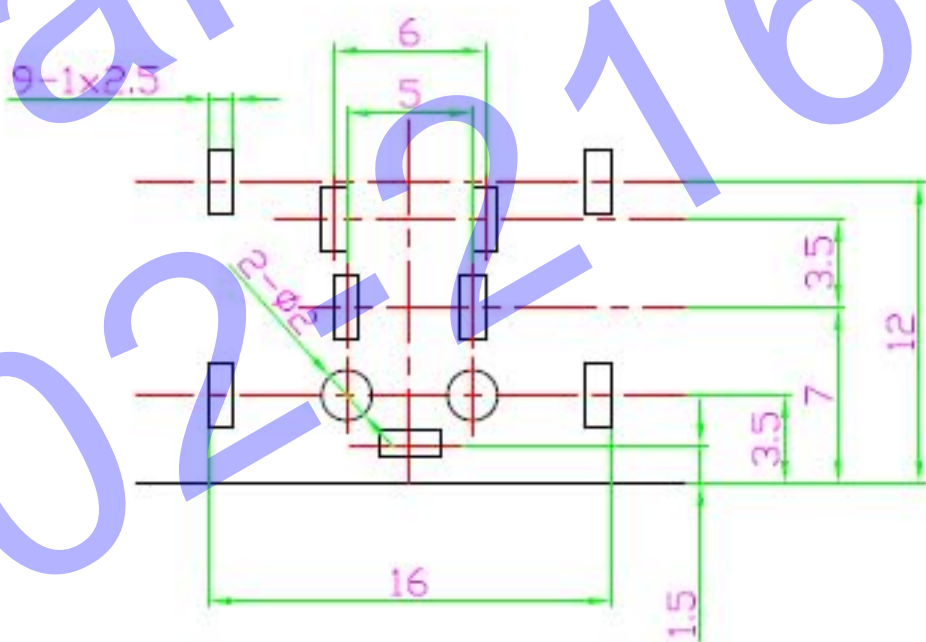
ROHS



SCHEMATIC



PCB LAYOUT
TOP VIEW



NO.	Part Part No.	PART NAME	MATERIAL	QTY	FINISH/COLOP	Remark
1	DIN-422-1	HOUSING	PBT	1PCS	UL 94V-0(BLACK)	
2	DIN-422-2	SHELL	PBT	1PCS	UL 94V-0(BLACK)	
3	DIN-422-3	COVER	C2680 T=0.3	1PCS	MB: Cu/Sn PLATED	
4	DIN-422-4	GROUND CONTACT	C2680 T=0.3	4PCS	MB: Cu/Sn PLATED	
5	DIN-422-5	TERMINAL	SPCC T=0.4	1PCS	MB:Cu Cu/Sn PLATED	
6						

HDC 有限公司

1.线性 X ±0.15
X.X ±0.10
X.XX ±0.05
2.角度 XX' ±3°
X' ±2°
X.X' ±1°

Check	Zhang Zhaoyun	Date	2014.04.23	Product Name	DIN TERMINAL SERIES	
Approve	Liu Xing	Date	2014.04.23	Model	DIN-422	
Proportion		Unit	Engineering Department	Page number	1F1	A4

变更号 版本 日期