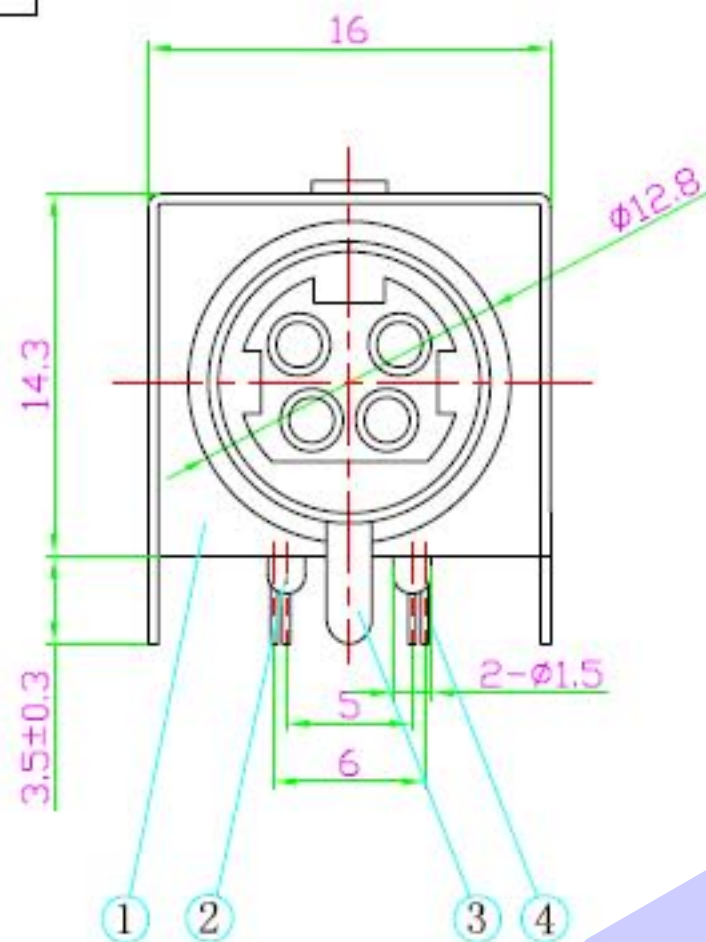
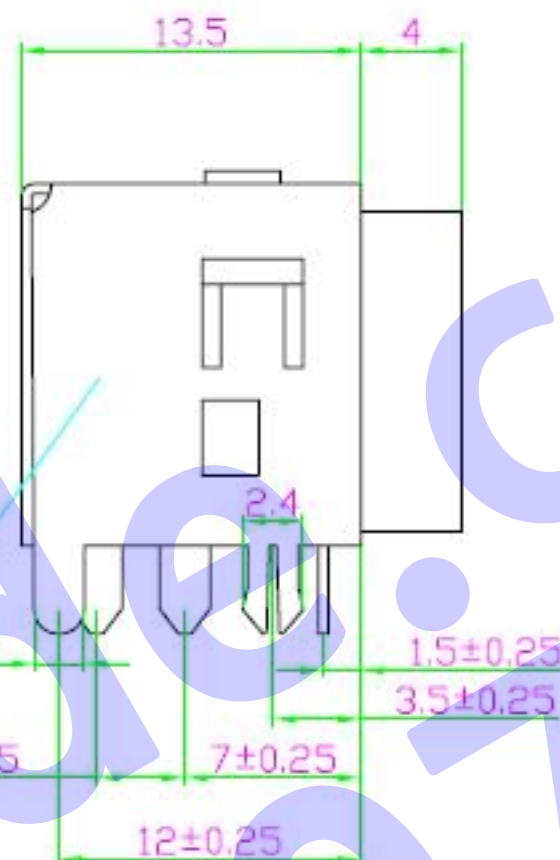
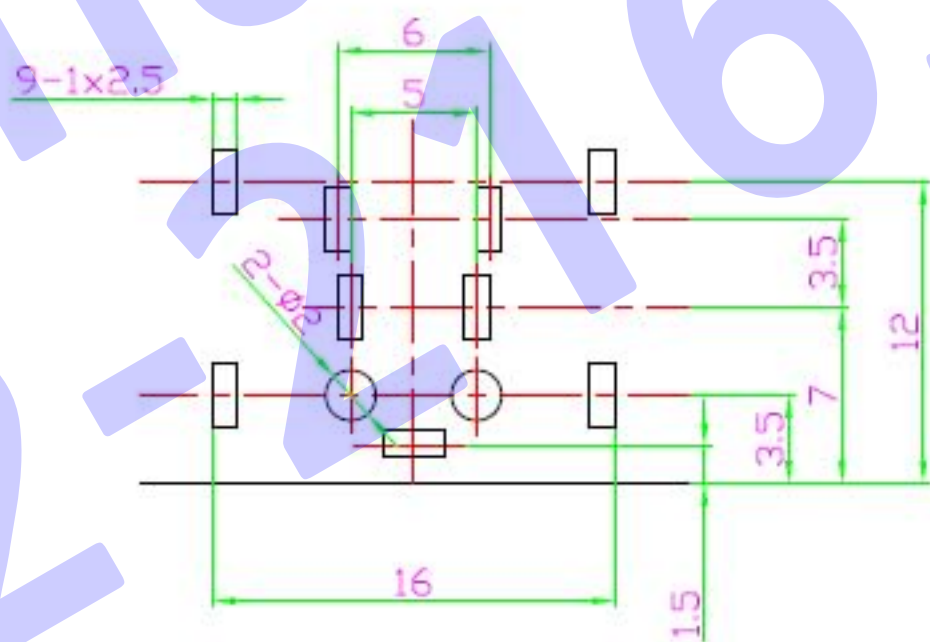


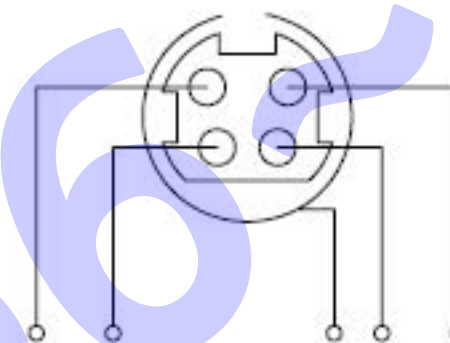
ROHS



PCB LAYOUT
TOP VIEW



SCHEMATIC



NO.	Part Part No.	PART NAME	MATERIAL	QTY	FINISH/COLOP	Remark
1	DIN-422-1	HOUSING	PBT	1PCS	UL 94V-0(BLACK)	
2	DIN-422-2	SHELL	PBT	1PCS	UL 94V-0(BLACK)	
3	DIN-422-3	COVER	C2680 T=0.3	1PCS	MB: Cu/Sn PLATED	
4	DIN-422-4	GROUND CONTACT	C2680 T=0.3	4PCS	MB: Cu/Sn PLATED	
5	DIN-422-5	TERMINAL	SPCC T=0.4	1PCS	MB:Cu Cu/Sn PLATED	
6						

HDC 有限公司

1.线性 X ±0.15 XX ±0.10 X.XX ±0.05
2.角度 XX' ±3° X' ±2° X.X' ±1°

Check	Zhang Zhaoyun	Date	2014. 04. 23	Product Name	DIN TERMINAL SERIES	
Approve	Liu Xing	Date	2014. 04. 23	Model	DIN-422	
Proportion		Unit	Engineering Department	Page number	1F1	A4

变更号 版本 日期

REV. LTR.

DESCRIPTION

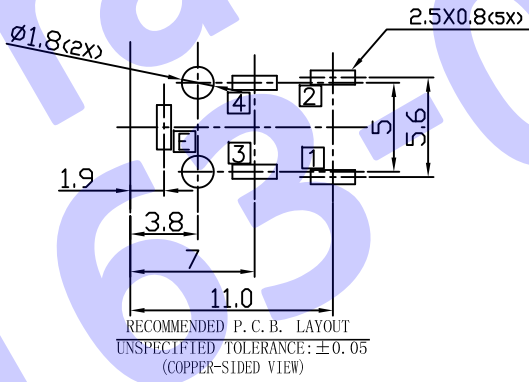
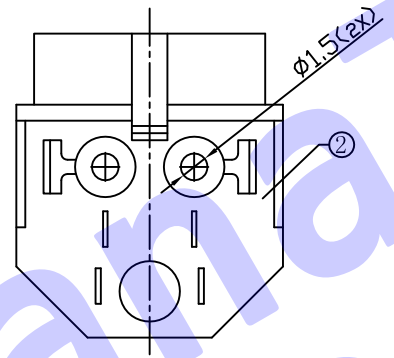
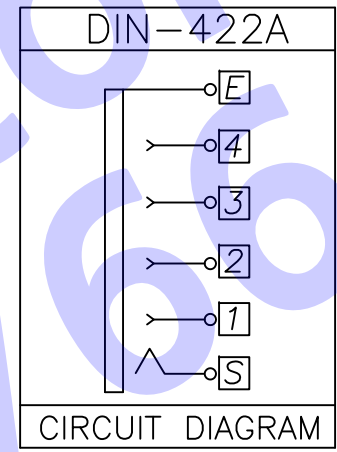
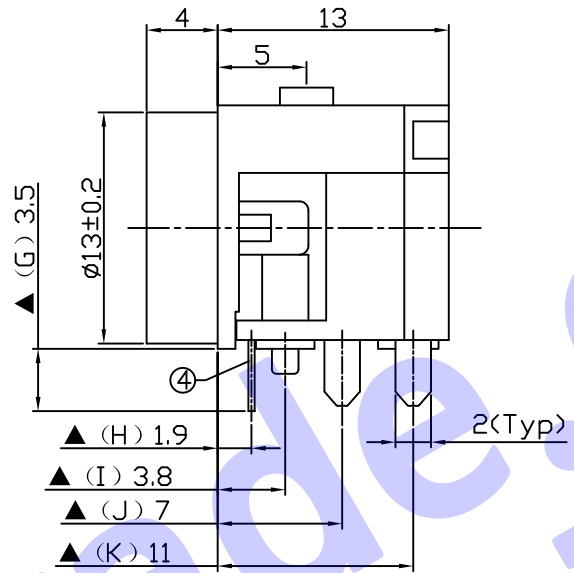
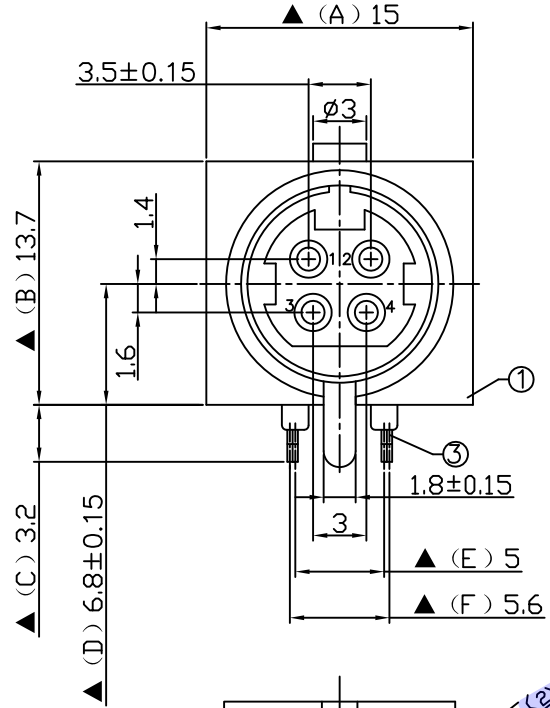
SIGN

DATE

Update drawing

PD X

2011.05.05



Specification:

1. Rating : DC 50V 1.0A;
2. Contact resistance: $\leq 30m\Omega$;
After test: $\leq 50m\Omega$
3. Insulation resistance: $\geq 100M\Omega$ (500VDC);
After test: $\geq 50M\Omega$
4. Withstand voltage: 500VAC ;
5. Insertion and extraction force: 5N~35N;
6. life test: 1000cycles min;
7. Operation temperature range: -20°C~70°C
8. Preservative temperature range: -25°C~80°C
9. Sign"▲" is importance dimension

④	Ground contact [E]	1	Brass t0.35	Copper&tin plating
③	Contact terminal [1][2][3][4]	4	Brass t0.3	Copper&tin plating
②	Cover	1	PBT/PA46	Black
①	Housing	1	PBT/PA46	Black
NO.	DESCRIPTION	QTY	MATERIAL	REMARK
UNIT:MM		TYPE:		MODEL NO:
		DIN SOCKET		DIN-422A
		PAPER NO: A4		PAGE 1 OF 1
		TOLERANCE		ANGLES
		±0.3		±2°
		SCALE		VER
		FULL		3
DESIGNER BY:		PD X 2011.05.05		
CHECK BY:		陈明敏		
APPROVED BY:		陈明敏		