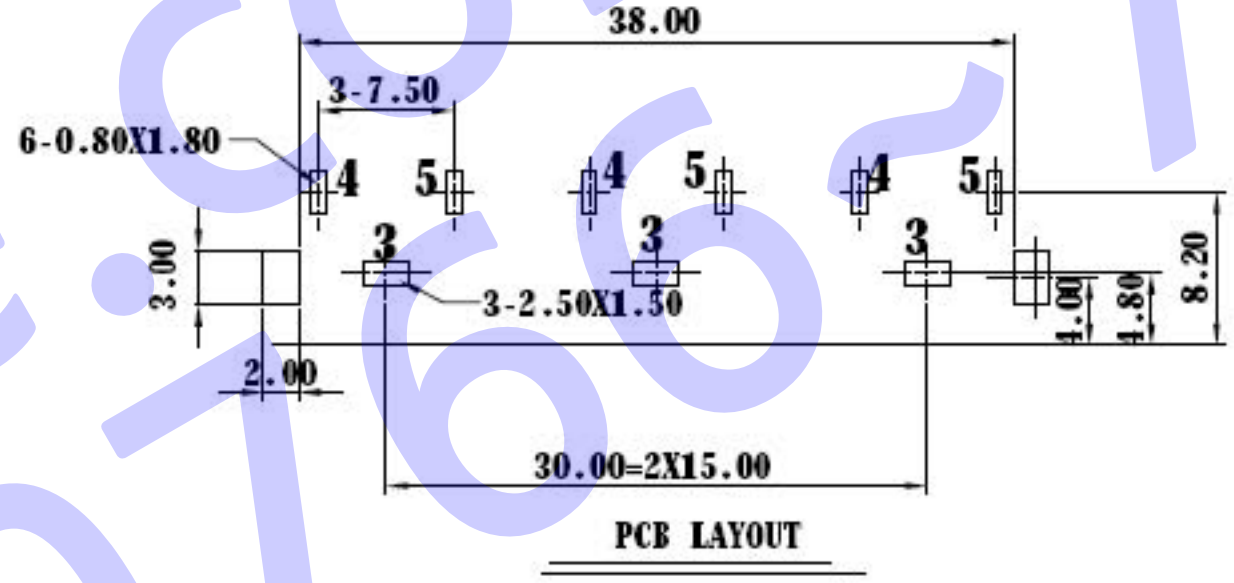
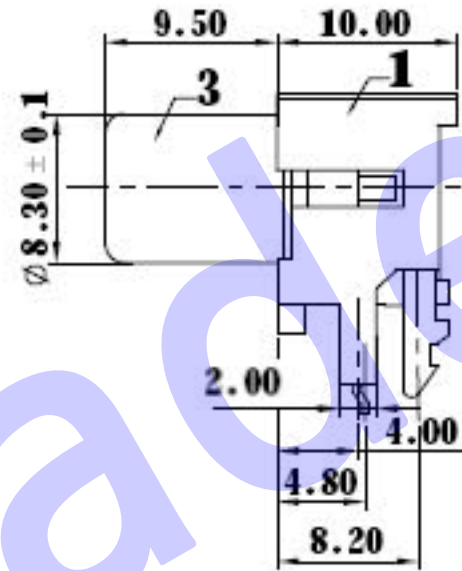
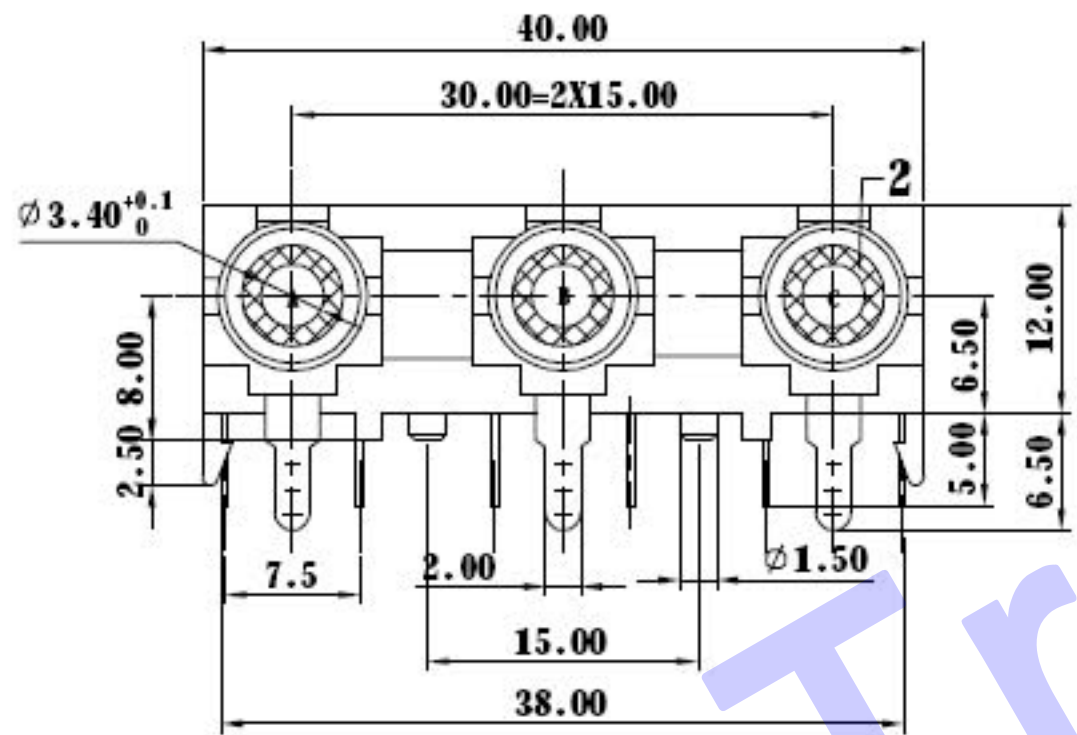
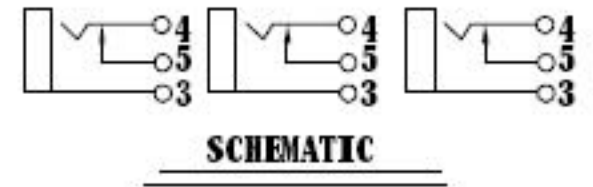


ALLOWANCE	
UNDER 3	± 0.1
3 TO 6	± 0.2
6 TO 15	± 0.3
15 TO 50	± 0.4
50 OVER	± 0.5

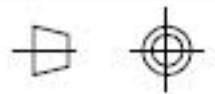


CODE	A	B	C
COLOR	YELLOW	WHITE	RED



NO:	PART NAME	MATERIAL	QTY	FINISHING
5	TERMINAL-B	H65-0.4Y	3	Ag-PLATED
4	TERMINAL-A	QSn6.5-0.1-0.4Y	3	Ag-PLATED
3	SOCKET	H65-0.4M	3	Cu-Sn PLATED
2	WASHER	ABS 94HB-VIRGIN	3	
1	HOUSE	ABS 94HB-VIRGIN	1	BLACK

MODEL NO : GRCA-315D	TOLERANCE: ±0.2	DRAWN BY:
TYPE : RCA PIN JACK BOARD	UNIT: mm	CHECKED BY:
DRAWING NO :	SCALE: NO SCALE	APPROVED BY:



HDC 有限公司