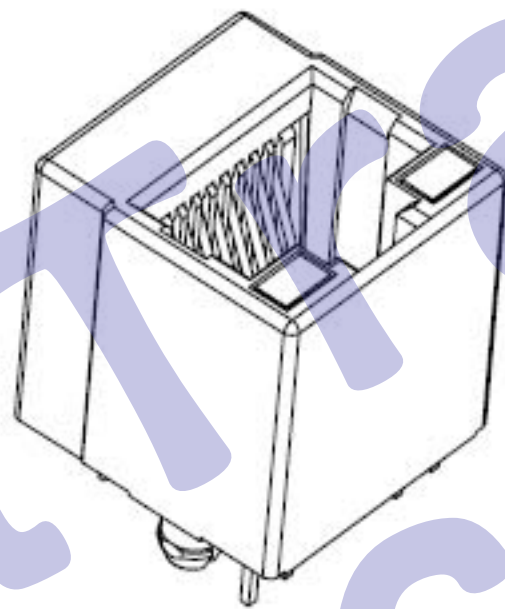
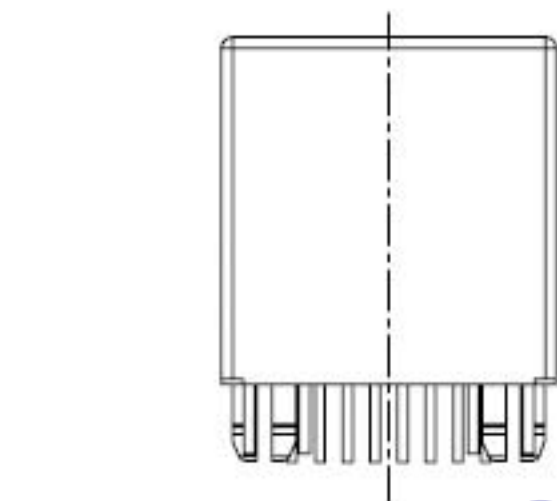
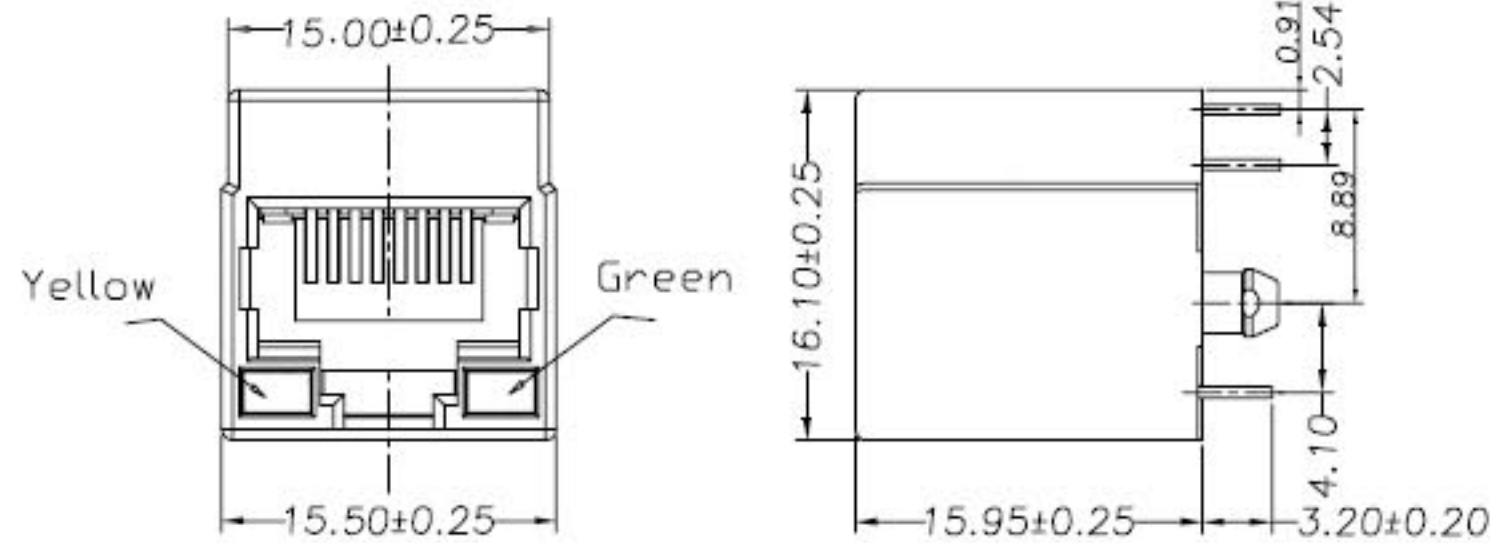


更改 REV	更改内容 MODIFICATION	日期 DATE	制图 DRAW	核准 APPROVE
A	图面发行	2012/10/29	JDL	Oscar



NOTES:

**ELECTRICAL:**

- VOLTAGE RATING : 125 VAC RMS.
- CURRENT RATING : 1.5 AMP.
- CONTACT RESISTANCE : 50 MILLIOHMS MAX.
- INSULATION RESISTANCE: 500 MEGOHMS MIN @ 500 VDC.
- DIELECTRIC STRENGTH : 1000 VAC RMS 50Hz, 1MIN.

**MECHANICAL:**

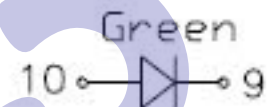
- HOUSING MATERIAL : GLASS FILLED POLYESTER UL94V-0
- CONTACT MATERIAL : PHOSPHOR BRONZE  $\phi 0.46$ mm.
- PLATING : GOLD PLATING OVER NICKEL.
- SHIELD : COPPER ALLOY(OR STEEL ALLOY) 0.20mm THICKNESS PLATING NI.
- OPERATING LIFE : 750 CYCLES MIN.
- PCB RETENTION PRE-SOLDER : 1 LB MIN.
- PCB RETENTION POST-SOLDER: 10 LBS MIN.

**ENVIRONMENTAL:**

- STORAGE : -40°C TO +85°C.
- OPERATION: -40°C TO +85°C.
- ROHS COMPLIANT

MATES WITH MODULAR PLUG CONFORMING TO FCC PART 68, SUBPART F.

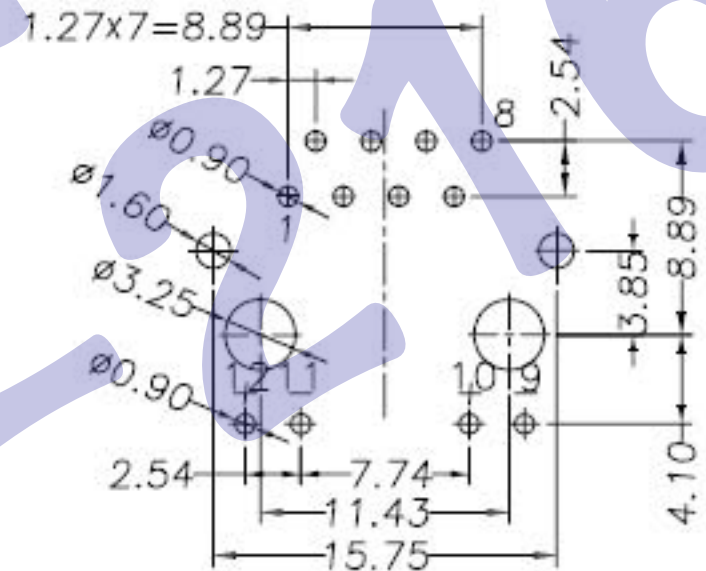
PART NUMBER: 52A-N1108L2-XX



单色灯脚位图

GOLD PLATING U\*  
1-Fu\* 2-2u\* 3-3u\* 4-5u\*

PLASTIC MATERIAL&COLOR:Black/Yellow/Gray  
1-PEET+20%GF Black  
2-PA46 Black



PC Board Layout

QC : Inspection Item	Cp/Cpk and SPC Control Item	DIMENSION IN mm [Inch]		HDC 有限公司	
		TOLERANCE UNLESS OTHERWISE SPECIFIED		文件号 FILE NO.	图号 DWG NO.
		.X ± 0.20	X.* ± 1*	标题 TITLE	
		.XX ± 0.15	.X* ± 0.5*	52A 1X1 8P8C LED PCB JACK W/D SHIELD TOP ENTRY, ROUND PIN	
		.XXX ± 0.075		制图 DRAW	审核 CHECK
		核准 APPROVE	审核 CHECK	制图 DRAW	审核 CHECK
		Oscar		比例 SCALE	1:1
				图幅 SIZE	A3
				页数 SHEET	1 / 1
				更改 REV	A