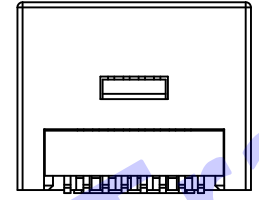
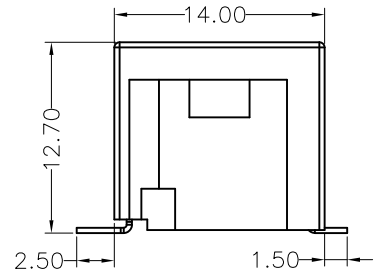
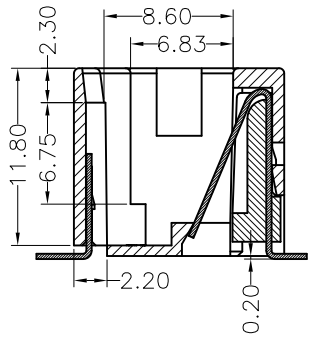
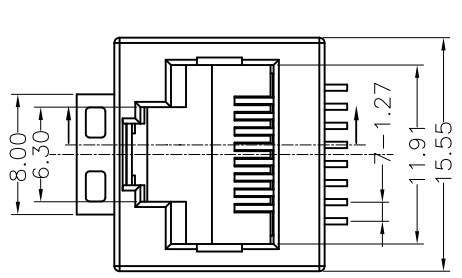


更改 REV	设计内容 MODIFICATION	日期 DATE	制图 DRAW	核准 APPROVE
A	图面发行	2011/8/29	Oscar	Oscar



NOTES:

ELECTRICAL:

- VOLTAGE RATING : 125 VAC RMS.
- CURRENT RATING : 1.5 AMP.
- CONTACT RESISTANCE : 50 MILLIOHMS MAX.
- INSULATION RESISTANCE: 500 MEGOHMS MIN @ 500 VDC.
- DIELECTRIC STRENGTH : 1000 VAC RMS 50Hz, 1MIN.

MECHANICAL:

- HOUSING MATERIAL : GLASS FILLED POLYESTER UL94V-0
- CONTACT MATERIAL : PHOSPHOR BRONZE ϕ 0.46mm.
- PLATING : GOLD PLATING OVER NICKEL.
- OPERATING LIFE : 750 CYCLES MIN.
- PCB RETENTION PRE-SOLDER : 1 LB MIN.
- PCB RETENTION POST-SOLDER: 10 LBS MIN.

ENVIRONMENTAL:

- STORAGE : -40°C TO +85°C.
 - OPERATION: -40°C TO +85°C.
 - WAVE SOLDERING TEMPERATURE: 255°~265° (5~10SECONDS).
 - ROHS COMPLIANT
- MATES WITH MODULAR PLUG CONFORMING TO
FCC PART 68, SUBPART F.

524G-011880021X

52 SERIES:

Product Style:

- 24-标准 W=15.00mm, H=15.80mm;
 - 4B-大标准 W=15.68mm, H=16.35mm;
 - 4C-标准 W=14.70mm, H=13.10mm;
 - 4G-4P SMT 型;
 - 4F-标准 标准W&H=16.75mm;
 - 4L-标准 W/LED;
- Transformer feature:
0-不效 1-HRJ-001 2-HRJ-002

TYPE SHIELD

- 1-W/O SHIELD; 2-HALF SHIELD;
 - 3-FULL SHIELD
- PORTS 插口 1-1X1 4-1X4 8-1X8

POSITIONS:

- 4-4P 6-6P 8-8P 0-10P
 - CONTACTS 4-4C 6-6C 8-8C 0-10P
- PEG/TAB 插脚:
0-W/O PEG; 1-FRONT PEG 3.05
2-FRONT PEG 3.68; 3-FRONT PEG 4.57;
4-BACK PEG 3.05

GOLD PLATING

- 1-FU"; 2-1.5U"; 3-3U";
- 4-6U"; 5-15U"; 6-30U";
- 7-50U"

LOGO 标识

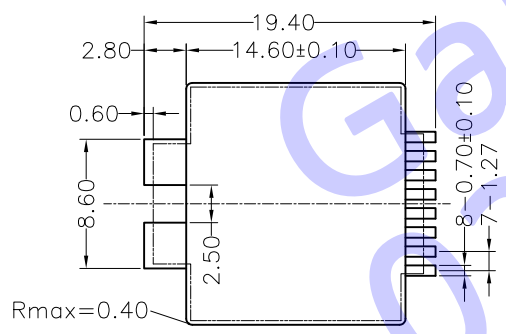
- 0-W/O LOGO
- 1-W/HAXN
- 2-W/HAXN W/UL

PLASTIC MATERIAL & COLOR OPTION

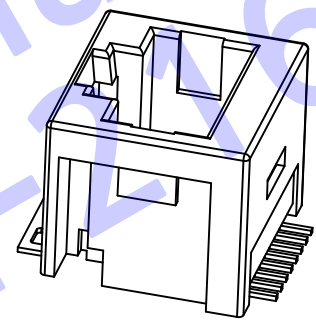
- 1-PBT BLACK
- 2-PA46 BLACK

LED STYLE & COLOR

- 0-W/O LED
- 1-L LED GREEN, R LED YELLOW
- 2-L LED YELLOW, R LED GREEN
- 3-L LED GREEN, R LED GREEN



PC Board Layout



◎ : Inspection Item ◎ : Cp/Cpk and SPC Control Item ◎ : APPROVE ◎ : CHECK	DIMENSION IN mm [Inch]		HDC 有限公司	
	TOLERANCE UNLESS OTHERWISE SPECIFIED		专案号 FILE NO.	图号 DWG NO. 524G-8P-001
	.X± 0.20	X° ± 1°	名称 TITLE 524G 1X1 8P SMT JACK	
	.XX± 0.15	.X° ± 0.5°		
.XXX± 0.075		制图 DRAW Oscar	角法 PROJ.	原数 SHEET 1 / 1
	JDL	比例 SCALE 1:1	图框 SIZE A3	更改 REV A