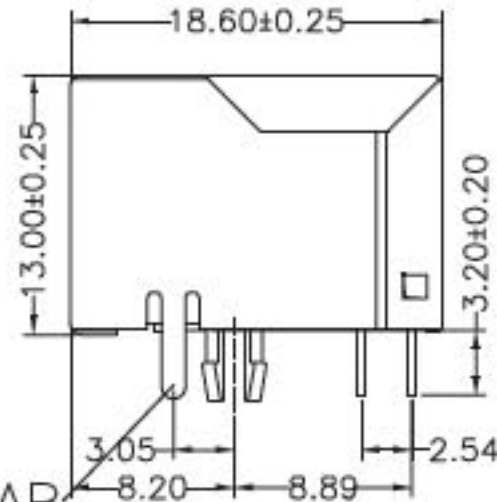
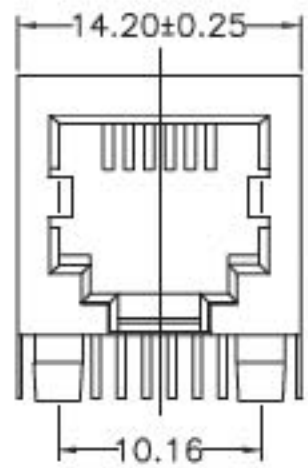
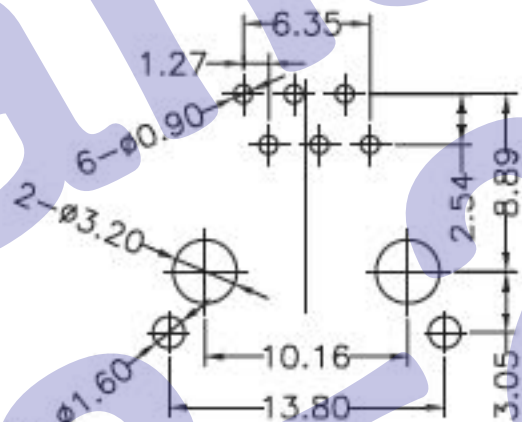
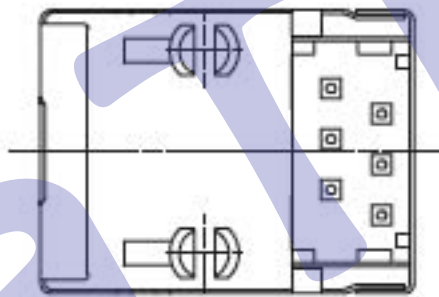


更改 REV	更改内容 MODIFICATION	日期 DATE	制图 DRAW	核准 APPROVE
A	版面发行	2011/8/29	Oscar	Oscar



PEG/TAB



PC Board Layout

NOTES:

MATERIAL:

- 1.HOUSING MATERIAL :GLASS FILLED POLYESTER(UL94V-0).
- 2.CONTACT MATERIAL :PHOSPHOR BRONZE #0.46mm (C5100).
- 3.PLATING :GOLD PLATING OVER NICKEL.
- 4.SHIELD COPPER ALLOY 0.20mm THICKNESS PLATING NI.

ELECTRICAL:

- 1.VOLTAGE RATING :125 VAC RMS.
- 2.CURRENT RATING :1.5 AMP.
- 3.CONTACT RESISTANCE :50 MILLIOHMS MAX.
- 4.INSULATION RESISTANCE :500 MEGOHMS MIN @ 500V DC.
- 5.DIELECTRIC WITHSTANDING RESISTANCE :1000V AC RMS 50Hz. 1MIN.

MECHANICAL:

- 1.DURRABILITY :750 CYCLES MIN.
- 2.PCB RETENTION PRE-SOLDER :1 LB MIN.

ENVIRONMENTAL:

- 1.STORAGE : -40°C TO +85°C.
2. OPERATION : 0°C TO 70°C.

MATES WITH MODULAR PLUG CONFORMING TO FCC PART 68,SUBPART F.

PART NUMBER:

5601-3116640XXX

56 SERIES:

(Latch down Jack)

Product Style:

01-#H=13.10mm

Shield Style:

1-W/O Shield 2-Half Shield

3-#H=13.10mm 4-#H=13.10mm 5-#H=13.10mm 6-#H=13.10mm

7-#H=13.10mm 8-#H=13.10mm

PIN STYPES :

1-#H=13.10mm 2-#H=13.10mm

PORTS:

1-1X1 PORT 2-1X2 PORTS

4-1X4 PORTS 8-1X8 PORTS

Positions:

6-6P 8-8P 0-10P

Contacts:

4-4C 6-6C 8-8C 0-10C

PEG/TAB & BACK PEG (插孔及背插孔)

0-W/O PEG 1-#H=3.56

2-#H=3.43 3-#H=3.56

4-#H=3.05

Gold plating u"  
1-Fu 2-2u 3-3u 4-6u  
5-15 6-30u 7-50u

Logo&PcbType:

0-#H=13.10mm

1-W/HXAN LOGO

2-W/HAXN&ULLOGO

Plastics Material&Color:

1-PBT+20%GF Black

2-PA46 Black

LED Style:

0-W/O LED

1-L Led:Green R Led:Yellow

2-L Led:Yellow R Led:Green

3-L Led:Green&Orange R Led:Yellow

4-L Led:Green&Red R Led:Yellow

5-L Led:Green&Yellow R Led:Yellow

6-L Led:Red R Led:Green

QC :inspection item	Cp/Cpk and SPC Control item	DIMENSION IN mm [Inch]		HDC 有限公司		
		TOLERANCE UNLESS OTHERWISE SPECIFIED		专业号 FILE NO.	图号 DWG NO.	5601-6P-001
		.X±0.20	X"±1"	名称 TITLE		
		.XX±0.15	.X"±0.5"			
.XXX±0.075		56 1X1 6P6C JACK (脚高3.05)				
核准 APPROVE	审核 CHECK	制图 DRAW	画法 PROJ.	张数 SHEET	1 / 1	
	JDL	Oscar	比例 SCALE	1:1	图幅 SIZE	A3
			更改 REV	A		