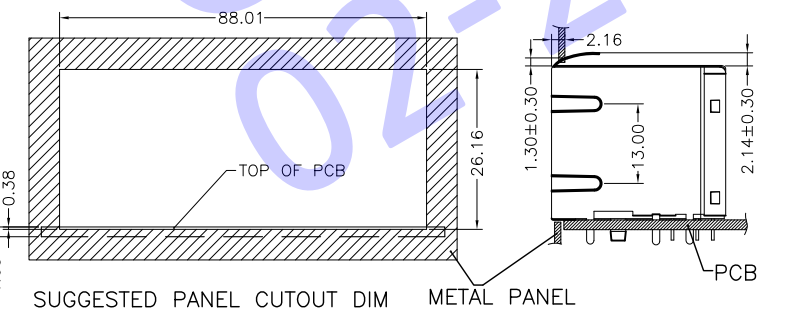
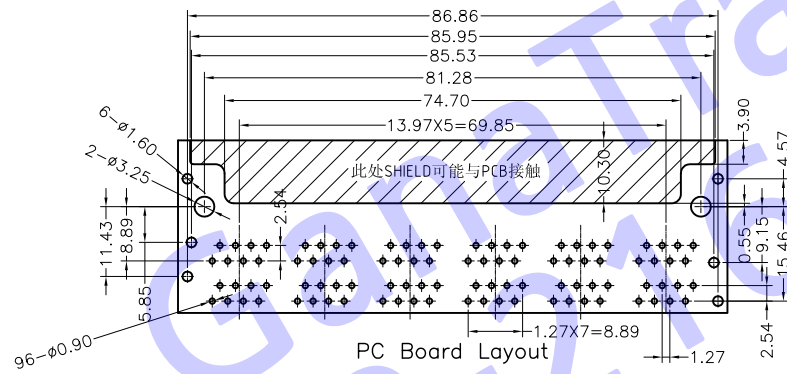
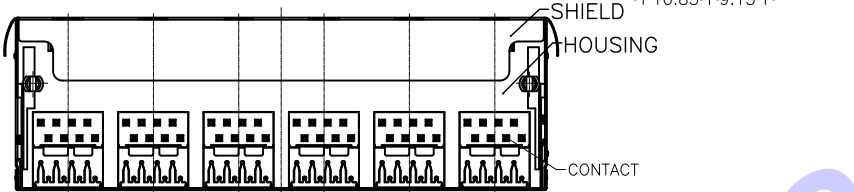
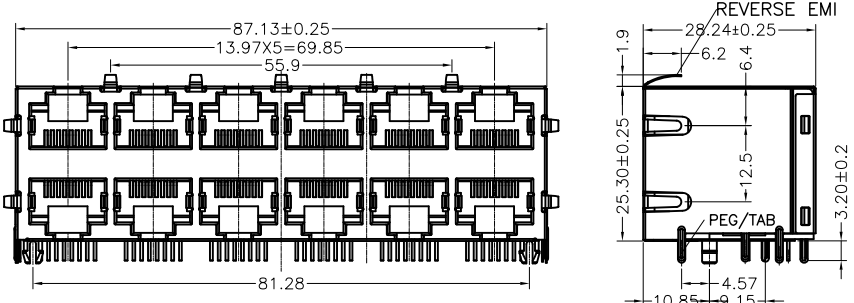


更改 REV	变更内容 MODIFICATION	日期 DATE	制图 DRAW	核准 APPROVE
A	图面发行	2011/8/29	Oscar	Oscar



NOTES:

- MATERIAL:**
 1. HOUSING MATERIAL : GLASS FILLED POLYESTER (UL94V-0).
 2. CONTACT MATERIAL : PHOSPHOR BRONZE ϕ 0.46mm (C5100).
 3. PLATING : GOLD PLATING OVER NICKEL.
 4. SHIELD: COPPER ALLOY 0.20mm THICKNESS PLATING NI.
- ELECTRICAL:**
 1. VOLTAGE RATING : 125 VAC RMS.
 2. CURRENT RATING : 1.5 AMP.
 3. CONTACT RESISTANCE : 50 MILLIOHMS MAX.
 4. INSULATION RESISTANCE : 500 MEGOHMS MIN @ 500V DC.
 5. DIELECTRIC WITHSTANDING RESISTANCE : 1000V AC RMS 50Hz. 1MIN.
- MECHANICAL:**
 1. DURRABILITY : 750 CYCLES MIN.
 2. PCB RETENTION PRE-SOLDER : 1 LB MIN.
- ENVIRONMENTAL:**
 1. STORAGE : -40°C TO +85°C.
 2. OPERATION : 0°C TO 70°C.
 MATES WITH MODULAR PLUG CONFORMING TO FCC PART 68, SUBPART F.
- PART NUMBER:

880A-61E8810XXX

- 88 SERIES:**
 (2XN JACK)
 Product Style:
 0A-标准 Pitch=13.97mm 标准
 Shield Style:
 1-W/O Shield 2-Half Shield 标准
 3-不带壳 4-带壳 5-带壳带盖 6-上, 带壳带盖
 7-上, 带壳带盖, 带壳带盖 8-上, 带壳带盖, 带壳带盖
 PIN STYPES :
 1-标准
 2-标准
 PORTS:
 A - 2X4 PORT B - 2X2 PORTS
 C - 2X4 PORTS E - 2X6 PORTS
 G - 2X8 PORTS
 Positions:
 6-6P 8-8P 0-10P
 Contacts:
 6-6C 8-8C
 PEG/TAB & BACK PEG (带壳带盖及后壳带盖)
 0-W/O PEG 1-标准 4.57 无壳带盖
 2-标准 4.70 无壳带盖
- Gold plating u"
 1-Fu" 2-2u" 3-3u" 4-6u"
 5-15" 6-30u" 7-50u"
- Logo&PcbType:
 0-无壳
 1-W/HAXN LOGO
 2-W/HAXN&ULLOGO
- Plastics Material&Color:
 1-PBT+20%GF Black
 2-PA46 Black
- LED Style:
 0-W/O LED
 1-L Led:Green R Led:Yellow
 2-L Led:Yellow R Led:Green
 3-L Led:Green&Orange R Led:Yellow
 4-L Led:Green&Red R Led:Yellow
 5-L Led:Green&Yellow R Led:Yellow
 6-L Led:Red R Led:Green

◎ : Inspection Item	◎ : Cp/Cpk and SPC Control Item	DIMENSION IN mm [Inch]		HDC 有限公司						
		TOLERANCE UNLESS OTHERWISE SPECIFIED		专 号 FILE NO.	图 号 DWG NO.					
		.X± 0.20	X:°± 1°	880A-8P-002	名称 TITLE					
		.XX± 0.15	.X°± 0.5°			2x4 W/O LED JACK (Pitch=13.97mm)				
.XXX± 0.075		制 图 DRAW	角 法 PROJ.	图 号 SHEET	1 / 1					
核准 APPROVE	审核 CHECK	Oscar	JDL	Oscar	比 例 SCALE	1:1	图 纸 SIZE	A3	更 改 REV	A