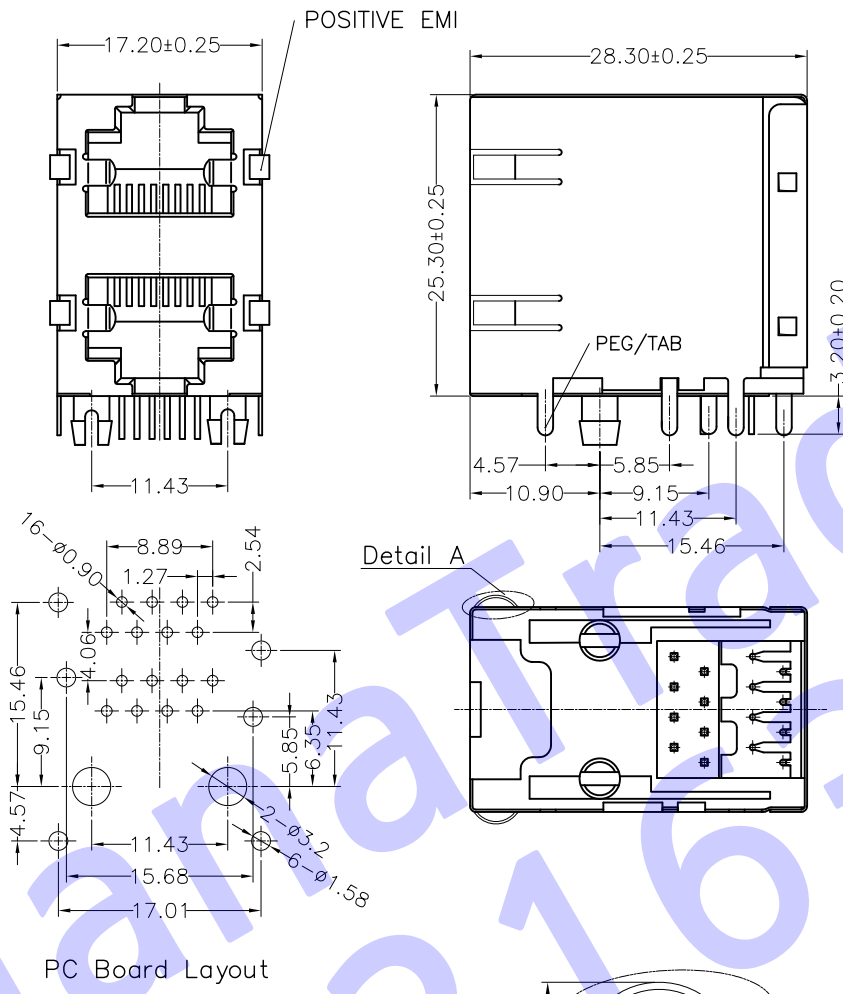
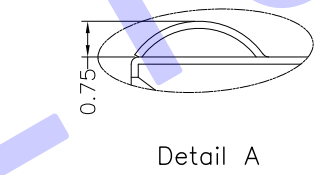


| 更改<br>REV | 变更内容<br>MODIFICATION | 日期<br>DATE | 制图<br>DRAW | 核准<br>APPROVE |
|-----------|----------------------|------------|------------|---------------|
| A         | 图面发行                 | 2011/8/29  | Oscar      | Oscar         |
|           |                      |            |            |               |
|           |                      |            |            |               |



NOTES:  
 MATERIAL:  
 1.HOUSING MATERIAL :GLASS FILLED POLYESTER(UL94V-0).  
 2.CONTACT MATERIAL :PHOSPHOR BRONZE ∅0.46mm (C5100).  
 3.PLATING :GOLD PLATING OVER NICKEL.  
 4.SHIELD: COPPER ALLOY 0.20mm THICKNESS PLATING NI.  
 ELECTRICAL:  
 1.VOLTAGE RATING :125 VAC RMS.  
 2.CURRENT RATING :1.5 AMP.  
 3.CONTACT RESISTANCE :50 MILLIOHMS MAX.  
 4.INSULATION RESISTANCE :500 MEGOHMS MIN @ 500V DC.  
 5.DIELECTRIC WITHSTANDING RESISTANCE :1000V AC RMS 50Hz. 1MIN.  
 MECHANICAL:  
 1.DURRABILITY :750 CYCLES MIN.  
 2.PCB RETENTION PRE-SOLDER :1 LB MIN.  
 ENVIRONMENTAL:  
 1.STORAGE : -40°C TO +85°C.  
 2. OPERATION : 0°C TO 70°C.  
 MATES WITH MODULAR PLUG CONFORMING TO  
 FCC PART 68,SUBPART F.  
 PART NUMBER:  
 8801-51A8810XXX

88 SERIES:  
 (2XN JACK)  
 Product Style:  
 01- 间距 Pitch=13.97mm  
 Shield Style:  
 1-W/O Shield 2-Half Shield 3- 不屏蔽 4- 不上焊 5- 上焊无脚 6- 上,上焊无脚 7- 上焊有脚 8- 上焊,有脚,左焊  
 PIN STYPES :  
 1- 单脚 2- 双脚  
 PORTS:  
 A- 2X1 PORT B- 2X2 PORTS  
 C- 2X4 PORTS E- 2X6 PORTS  
 D- 2X8 PORTS  
 Positions:  
 6-6P 8-8P 0-10P  
 Contacts:  
 6-6C 8-8C  
 PEG/TAB & PEG (选脚脚及有脚脚)  
 0-W/O PEG 1-脚脚4.57 无脚脚  
 2-脚脚4.70 有脚脚  
 Gold plating u"  
 1-Fu" 2-2u" 3-3u" 4-6u"  
 5-15" 6-30u" 7-50u"  
 Logo&PcbType:  
 0-无脚  
 1-W  
 2-W  
 Plastics Material&Color:  
 1-PBT+20%GF Black  
 2-PA46 Black  
 LED Style:  
 0-W/O LED  
 1-L Led:Green R Led:Yellow  
 2-L Led:Yellow R Led:Green  
 3-L Led:Green&Orange R Led:Yellow  
 4-L Led:Green&Red R Led:Yellow  
 5-L Led:Green&Yellow R Led:Yellow  
 6-L Led:Red R Led:Green



|  |                                      |                     |  |                           |
|--|--------------------------------------|---------------------|--|---------------------------|
| ◎ : Inspection Item<br>◎ : Cp/Cpk and SPC Control Item | DIMENSION IN mm [Inch]               |                     | HDC 有限公司                                     |                           |
|  | TOLERANCE UNLESS OTHERWISE SPECIFIED |                     | 专案号<br>FILE NO.                              | 图号<br>DWG NO. 8801-8P-001 |
|  | .X± 0.20                             | X.°± 1°             | 名称<br>TITLE 2x1 W/O LED JACK (Pitch=13.97mm) |                           |
|  | .XX± 0.15                            | .X°± 0.5°           |  |                           |
| .XXX± 0.075  |                                      | 核准<br>APPROVE Oscar | 审核<br>CHECK JDJ                              | 制图<br>DRAW Oscar          |
|  |                                      | 角法<br>PROJ.         | 图框<br>SCALE 1:1                              | 图号<br>SHEET 1 / 1         |
|  |                                      | 比例<br>SCALE 1:1     | 图框<br>SIZE A3                                | 更改<br>REV A               |