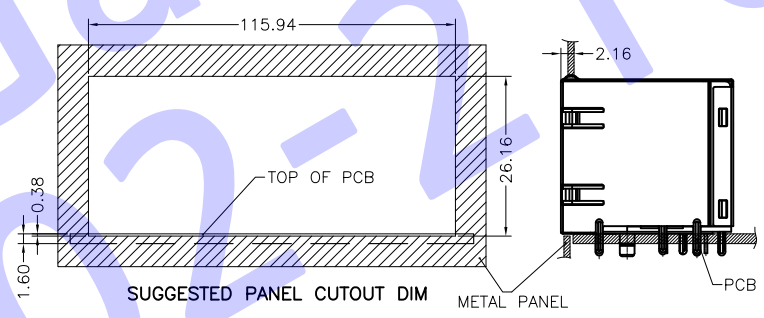


PC Board Layout



更改 REV	变更内容 MODIFICATION	日期 DATE	制图 DRAW	核准 APPROVE
A	图面发行	2011/8/29	Oscar	Oscar

**NOTES:**

**MATERIAL:**

- HOUSING MATERIAL :GLASS FILLED POLYESTER(UL94V-0).
- CONTACT MATERIAL :PHOSPHOR BRONZE  $\phi$ 0.46mm (C5100).
- PLATING :GOLD PLATING OVER NICKEL.
- SHIELD: COPPER ALLOY 0.20mm THICKNESS PLATING NI.

**ELECTRICAL:**

- VOLTAGE RATING :125 VAC RMS.
- CURRENT RATING :1.5 AMP.
- CONTACT RESISTANCE :50 MILLIOHMS MAX.
- INSULATION RESISTANCE :500 MEGOHMS MIN @ 500V DC.
- DIELECTRIC WITHSTANDING RESISTANCE :1000V AC RMS 50Hz. 1MIN.

**MECHANICAL:**

- DURRABILITY :750 CYCLES MIN.
- PCB RETENTION PRE-SOLDER :1 LB MIN.

**ENVIRONMENTAL:**

- STORAGE : -40°C TO +85°C.
- OPERATION : 0°C TO 70°C.

MATES WITH MODULAR PLUG CONFORMING TO FCC PART 68,SUBPART F.

PART NUMBER:  
**8801-61G8810XXX**

- 88 SERIES:**  
(2XN JACK)
- Product Style:  
01- 2XN Pitch=13.97mm
- Shield Style:  
1-W/O Shield 2-Half Shield 4- 4-PORT 5- 5-PORT 6- 6-PORT 7- 7-PORT 8- 8-PORT 9- 9-PORT
- PIN STYPES :  
1- 1-PORT 2- 2-PORT
- PORTS:  
A - 2X1 PORT B - 2X2 PORTS  
C - 2X4 PORTS D - 2X4 PORTS  
E - 2X6 PORTS
- Positions:  
6-6P 8-8P 0-10P
- Contacts:  
6-6C 8-8C
- PEG/TAB & BACK PEG (透孔及后槽)  
0-W/O PEG 1- 1-PORT 4.57 透孔  
2- 2-PORT 4.70 透孔
- Gold plating u"  
1-Fu" 2-2u" 3-3u" 4-6u"  
5-15" 6-30u" 7-50u"
- Logo&PcbType:  
0-无字  
1-W/HXAN LOGO  
2-W/HAXN&ULLOGO
- Plastics Material&Color:  
1-PBT+20%GF Black  
2-PA46 Black
- LED Style:  
0-W/O LED  
1-L Led:Green R Led:Yellow  
2-L Led:Yellow R Led:Green  
3-L Led:Green&Orange R Led:Yellow  
4-L Led:Green&Red R Led:Yellow  
5-L Led:Green&Yellow R Led:Yellow  
6-L Led:Red R Led:Green

◎ : Inspection Item	◎ : Cp/Cpk and SPC Control Item	DIMENSION IN mm [Inch]		<b>HDC有限公司</b>					
		TOLERANCE UNLESS OTHERWISE SPECIFIED		专案号 FILE NO.	图号 DWG NO.	8801-8P-010			
		.X± 0.20	X.° ± 1°	名称 TITLE 2x8 W/O LED JACK (Pitch=13.97mm)					
		.XX± 0.15	.X.° ± 0.5°						
.XXX± 0.075		核准 APPROVE	审核 CHECK	制图 DRAW	角法 PROJ.	图框 SCALE	图号 SIZE	页数 SHEET	1 / 1
Oscar	JDL	Oscar	1:1	A3	更改 REV	A			