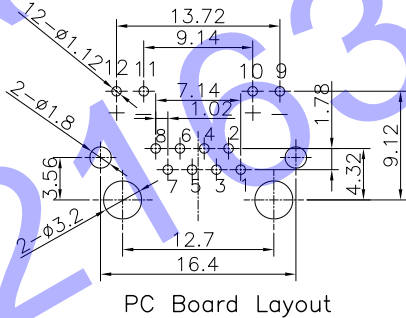
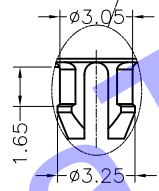
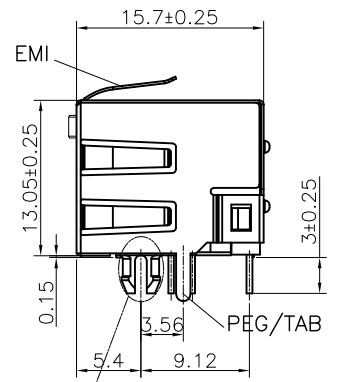
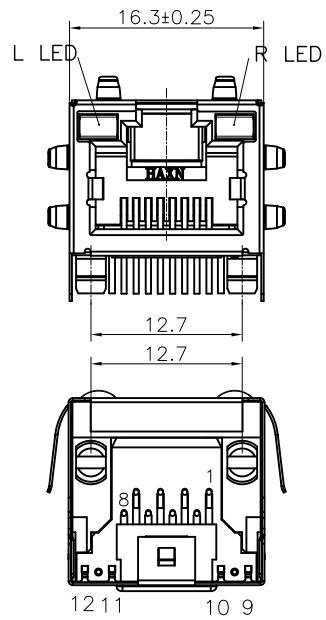


更改 REV	设计内容 MODIFICATION	日期 DATE	制图 DRAW	核准 APPROVE
A	图面发行	2011/8/29	Oscar	Oscar



NOTES:
MATERIAL:
 1. HOUSING MATERIAL :GLASS FILLED POLYESTER(UL94V-0).
 2. CONTACT MATERIAL :PHOSPHOR BRONZE ϕ 0.46mm (C5100).
 3. PLATING :GOLD PLATING OVER NICKEL.
 4. SHIELD COPPER ALLOY(OR STEEL ALLOY) 0.20mm THICKNESS PLATING NI.
 5. LED OPTION.
ELECTRICAL:
 1. VOLTAGE RATING :125 VAC RMS.
 2. CURRENT RATING :1.5 AMP.
 3. CONTACT RESISTANCE :50 MILLIOHMS MAX.
 4. INSULATION RESISTANCE :500 MEGOHMS MIN @ 500V DC.
 5. DIELECTRIC WITHSTANDING RESISTANCE :1000V AC RMS 50Hz. 1MIN.
 6. LED RATINGS:FORWARD VOLTAGE:2.2 VOLTS TYPICAL. REVERSE VOLTAGE:5 VOLTS MAXIMUM.
MECHANICAL:
 1. DURRABILITY:750 CYCLES MIN.
 2. PCB RETENTION PRE-SOLDER
ENVIRONMENTAL:
 1. STORAGE : -40°C TO +85°C.
 2. OPERATION: -20°C TO 70°C.
 MATES WITH MODULAR PLUG CONFORMING TO FCC PART 68,SUBPART F.

PART NUMBER:
 9801-611881XXXX

98 SERIES:
 (LED&W/O LED JACK)
 Product Style:
 01-单脚 单排脚座
 Shield Style:
 1-W/O Shield 2-Half Shield 半罩
 3-全罩左 4-全罩上 5-全罩右 6-全罩后
 7-上罩左, 左排脚 8-上罩右, 右排脚
 PIN STYPES :
 1-单脚 2-双脚
PORTS:
 1-1X1 PORT 2-1X2 PORTS
 4-1X4 PORTS 8-1X8 PORTS
Positions:
 6-6P 8-8P
Contacts:
 4-4C 6-6C 8-8C
PEG/TAB &BACK PEG (选装脚及后脚)
 0-W/O PEG 1-脚长3.56 后脚脚座
 2-脚长3.43 后脚脚座

Gold plating u"
 1-Fu" 2-2u" 3-3u" 4-6u"
 5-15" 6-30u" 7-50u"

Plastics Material&Color:
 1-PBT+20%GF Black
 2-PA46 Black

LED Style:
 0-W/O LED
 1-L Led:Green R Led:Yellow
 2-L Led:Yellow R Led:Green
 3-L Led:Green&Orange R Led:Yellow
 4-L Led:Green&Red R Led:Yellow
 5-L Led:Green&Yellow R Led:Yellow
 6-L Led:Red R Led:Green

◎◎ : Inspection Item ◎PK : Cp/Cpk and SPC Control Item	DIMENSION IN mm [Inch]		H D C 有限公司	
	TOLERANCE UNLESS OTHERWISE SPECIFIED		专案号 FILE NO.	图号 DWG NO. 9801-8P-001
	.X± 0.20	X.°± 1°	名称 TITLE 98 1X1 8P8C LED JACK (脚后3.56)	
	.XX± 0.15	.X°± 0.5°		
	.XXX± 0.075		核准 APPROVE	审核 CHECK
		角法 PROJ.	图框 SHEET 1 / 1	比例 SCALE 1:1
		图框 SIZE A3	更改 REV A	